



United States Price List Index

Schulte Industries Ltd.

100 John Schulte Dr., Englefeld, SK. Canada, S0K 1N0

Tel: 306-287-3715 Fax: 306-287-3355 Toll Free: 1-800-404-6044

Web: www.Schulte.ca



Sourcewell - Road Right Of Way Maintenance Equipment



Click on this symbol to
return to this index page

Rotary Cutters

FX742 - 42 Ft Rotary Cutter

FX530 - 30 Ft Rotary Cutter

5026 - 26 Ft Rotary Cutter

5024 - 24 Ft Rotary Cutter

FX520 - 20 Ft Rotary Cutter

FX320 - 20 Ft Rotary Cutter

FX318 - 18 Ft Rotary Cutter

FX212 - 12 Ft Rotary Cutter

TPX-318 3PT - 18 Ft Rotary Cutter

XH1500 Series 5 - 15 Ft Rotary Cutter

SFT Pro XH1500 Series 5 - 15 Ft Rotary Cutter

Cutter Command System - XH1500 Series 5 / XH1000 Series 5

XH1000 Series 5 - 10 Ft Rotary Cutter

FX1800 - 15 Ft Rotary Cutter

FX1800C - 15 Ft Rotary Cutter (DOT Configuration Options)

FX1200 - 10 Ft Rotary Cutter

FX1200C - 10 Ft Rotary Cutter (DOT Configuration Options)

GX150 - 15 Ft Rotary Cutter

GX130 - 13 Ft Rotary Cutter

FLX1510 - Flex Arm For 10' & 15' Schulte Rotary Cutters

FX209 - 9 Ft Rotary Cutter

FX107 - 7 Ft Rotary Cutter

Eliminator Spray Kit For XH1500 Rotary Cutters

MASTER PRICE SHEET



Schulte Industries Ltd.

100 John Schulte Dr., Englefeld, SK. Canada, S0K 1N0

Tel: 306-287-3715 Fax: 306-287-3355 Toll Free: 1-800-404-6044

Web: www.Schulte.ca



Sourcewell - Road Right Of Way Maintenance Equipment

MACHINE PRICES AND SPECIFICATIONS

FX-742 Rotary Cutter

~ The World's Largest Rotary Cutter ~

CUTTER FEATURES

- 42ft Cutting Width (12.8 m)
- 2" - 16" Cutting Height (51-406 mm)
- 118" Transport Width (3m)
- 10 ga Domed Deck (3.4 mm)
- Replaceable 2 Piece Skid Shoes
- 2" Cutting Capacity (51 mm)
- 250hp Minimum Tractor Size
- Floating Hitch
- 10 Gearbox Layout with
- 7 Slip Clutches (7 down clutches)
- 18,000 lbs Total Weight (8,165 kgs)
- Hydraulic Phasing & Mechanical Hybrid Lift System with Hydraulic Depth Control
- Adjustable Wheel Standards
- 1 Year Full Warranty & 3 Years Limited Gearbox Warranty
- Easy to Use Safety Lock Up

~ ~ Selection 1 ~ Choose a Basic Unit ~ ~

		Retail Price	Contract Price
C742-100	FX742 Rotary Cutter	158,105.00	107,511.40
S000-097	Safety Light Kit (Required)	691.00	469.88

~ ~ Selection 2 ~ Choose Hitch ~ ~

C742-855	Trailing Hitch, CV Style w/ Manual Hitch Jack	4,368.00	2,970.24
C742-335	Trailing Hitch, CV Style w/ Hydraulic Jack	5,273.00	3,585.64

~ ~ Selection 3 ~ Choose Axle and Tire Configuration ~ ~

C742-630	Through Axle Kit - <i>Choose 10 Tires</i>	8,750.00	5,950.00
C742-635	Walking Axle Kit - <i>Choose 14 Tires</i>	14,530.00	9,880.40

~ ~ Selection 4 ~ Choose Tire Option ~ ~

		Retail Price/Tire	Contract Price/Tire
210-560WG	Tire Assembly Stubble Proof <i>(Choose Quantity of Tires Need - 10 or 14)</i>	799.00	543.32

~ ~ Selection 5 ~ Choose a Blade Configuration ~ ~

C742-250	Pan Kit with Updraft Blades	9,279.00	6,309.72
C742-265	Fixed Knife Kit with Flat Double Sided Blades & Shrouds (For Cotton)	15,375.00	10,455.00
C742-270	Fixed Knife Kit with Updraft Blades & Shrouds	15,373.00	10,453.64

* Above prices subject to a 7% steel tariff surcharge

MASTER PRICE SHEET



Schulte Industries Ltd.

100 John Schulte Dr., Englefeld, SK. Canada, S0K 1N0

Tel: 306-287-3715 Fax: 306-287-3355 Toll Free: 1-800-404-6044

Web: www.Schulte.ca



Sourcewell - Road Right Of Way Maintenance Equipment

MACHINE PRICES AND SPECIFICATIONS

FX-742 Rotary Cutter

~ The World's Largest Rotary Cutter ~

~ ~ Selection 6 ~ Choose a Safety Guard & Accessories ~ ~

C742-500	Single Chains Front & Rear	5,463.00	3,714.84
C742-525	Double Chains Front and Rear	5,634.00	3,831.12
C742-550	Front & Rear Rubber Belting	2,903.00	1,974.04
C742-580	Single Chains Front & Rear with Front Rubber Belting	6,333.00	4,306.44

~ ~ Selection 7 ~ Choose Wheel Extension Kit ~ ~

C742-350	Row Crop Wheel Extensions (Will accommodate 30", 32", 36", 38", 40" + 1m rows) (Transport width of 146" or 3.7m)	1,569.00	1,066.92
----------	--	----------	----------

NOTE: All Tires Are 11L x 15 x 12 Ply Rated

~ ~ Selection 8 ~ Choose a Destination Code ~ ~

C742-NA	North American Destination Kit	313.00	212.84
---------	--------------------------------	--------	--------

~ ~ Selection 9 ~ Options ~ ~

C742-780	Fan Debris Kit, Factory Installed	17,227.00	11,714.36
C742-790	Fan Debris Kit, Crated	16,181.00	11,003.08
	Assembly charge on pan units	Net	1,300.00
	Assembly charge on fixed blade units	Net	1,400.00

IMPORTANT: Safety Tow Chain Kit must be used at all times when moving equipment on any type of road.

IMPORTANT: OSHA, ASAE, SAE, and ANSI standards REQUIRE the use of Chain Guards, Deflectors, or Solid Skirts/Bands at all times. Schulte recommends mower be equipped with deflectors or double chain guards for recommended for highway, right-of-way, parks or greenbelt mowing. Before ordering a mower, read the Thrown Object Shield Information Message in the Rotary Cutter Spec Section in the sales price book.



* Above prices subject to a 7% steel tariff surcharge

MASTER PRICE SHEET



Schulte Industries Ltd.

100 John Schulte Dr., Englefeld, SK. Canada, S0K 1N0

Tel: 306-287-3715 Fax: 306-287-3355 Toll Free: 1-800-404-6044

Web: www.Schulte.ca



Sourcewell - Road Right Of Way Maintenance Equipment

MACHINE PRICES AND SPECIFICATIONS

FX-530 Rotary Cutter

CUTTER FEATURES

- 30' of mowing and shredding excellence
- Accommodates 30", 32", 36", 38" row spacings
 - Spun formed pans available on pan unit
- Excellent shredding and distribution capabilities on Fixed Knife units allows for
- Unique drive layout allows for clutch on every down box
- Phasing system for parallel lift cut
- Non-adjustable clutches provide low maintenance
- Available **Cyclone Deck Debris Fan Kit**
- 350 hp, 60° degree splitter gearbox
- Unique driveline layout
- Floating hitch with rubber grommet rear

~ ~ Selection 1 ~ Choose a Basic Unit, Drive Package ~ ~

			<i>Retail Price</i>		<i>Contract Price</i>
1)	C530-100	Schulte FX-530, Basic Unit (Required)	84,250.00		57,290.00
2)	S000-097	Safety Light Kit (Required)	691.00		469.88

~ ~ Selection 2 ~ Choose a Hitch Option ~ ~

C530-810	Trailing Hitch, CV Style	OR	2,805.00	1,907.40
C530-845	Trailing Hitch, CV Style w/ Hydraulic Jack		4,652.00	3,163.36
Choose a Shaft				
a)	340-885WG	1 3/4 inch Tractor Shaft	2,750.00	1,870.00
b)	340-875WG	1 3/8 inch Tractor Shaft	2,668.00	1,814.24
C530-800	Trailing Equal Angle Hitch Sub Assembly		2,951.00	2,006.68
Must Choose a Hitch Block				
a)	C502-821	Category 3, fits up to a 1-1/2" pin and a drawbar 2-1/4" x 3-1/2"	377.00	256.36
b)	C502-822	Category 4, fits up to a 2" pin and a drawbar 2-1/2" x 5-1/8"	375.00	255.00
Choose a Tractor Shaft: <i>IMPORTANT: PTO Adaptor must not be used in any application.</i>				
a)	340-5505WG	Equal Angle Shaft, 1 3/8" x 21 Spline	1,346.00	915.28
b)	340-5509WG	Equal Angle Shaft, 1 3/4" x 20 Spline	1,435.00	975.80

*** Above prices subject to a 7% steel tariff surcharge**

MASTER PRICE SHEET



Schulte Industries Ltd.

100 John Schulte Dr., Englefeld, SK. Canada, S0K 1N0

Tel: 306-287-3715 Fax: 306-287-3355 Toll Free: 1-800-404-6044

Web: www.Schulte.ca



Sourcewell - Road Right Of Way Maintenance Equipment

MACHINE PRICES AND SPECIFICATIONS

FX-530 Rotary Cutter

~ ~ Selection 3 ~ Choose an Extension Kit ~ ~

C530-350	Row Crop Extensions	1,277.00	868.36
----------	---------------------	----------	--------

~ ~ Selection 4 ~ Choose an Axle Kit ~ ~

C530-625	Non Walking Wheel Standards <i>(Choose 8 Tires)</i>	6,424.00	4,368.32
C530-635	Walking Axles <i>(choose 10 Tires)</i>	9,322.00	6,338.96
C530-670	Standard Axle Add-on <i>(Choose 2 tires)</i>	1,907.00	1,296.76

~ ~ Selection 5 ~ Choose Tire Kit ~ ~

		Retail Price/Tire	Contract Price/Tire
210-511WG	Light Truck Tires <i>(Choose quantity of tires needed 8, 10 or 2)</i>	427.00	290.36
210-560WG	Tire Assembly Stubble Proof <i>(Choose quantity of tires needed 8, 10 or 2)</i>	799.00	543.32

~ ~ Selection 6 ~ Choose a Pan or Fixed Knife Kit ~ ~

C530-250	Pans and Updraft Blades	6,216.00	4,226.88
C530-270	Fixed Knife Kit c/w Shrouds and Updraft Blades	7,882.00	5,359.76
C530-280	Fixed Knife kit c/w Shrouds and <i>Non</i> Updraft Blades (For Cotton)	7,884.00	5,361.12

~ ~ Selection 7 ~ Choose a Shielding Kit or Combination ~ ~

C530-500	Front Single Chains	1,610.00	1,094.80
C530-510	Rear Single Chains	1,906.00	1,296.08
C530-550	Front Double Chains	1,787.00	1,215.16
C530-560	Rear Double Chains	2,157.00	1,466.76
C530-570	Half-length front belting	790.00	537.20
C530-575	Half-length rear belting	642.00	436.56
C530-580	Front Belting	849.00	577.32
C530-590	Rear Belting	782.00	531.76

* Above prices subject to a 7% steel tariff surcharge

MASTER PRICE SHEET



Schulte Industries Ltd.

100 John Schulte Dr., Englefeld, SK. Canada, S0K 1N0

Tel: 306-287-3715 Fax: 306-287-3355 Toll Free: 1-800-404-6044

Web: www.Schulte.ca



Sourcewell - Road Right Of Way Maintenance Equipment

MACHINE PRICES AND SPECIFICATIONS

FX-530 Rotary Cutter

~ ~ Selection 8 ~ Choose Destination Kit ~ ~

C530-NA	North American Decal Kit	190.00	129.20
---------	--------------------------	--------	--------

~ ~ Selection 9 ~ Choose Options ~ ~

C530-330	Hydraulic Actuated Outer Wings	1,817.00	1,235.56
C530-780	Cyclone Fan Debris Kit, Factory Installed	16,930.00	11,512.40
C530-790	Cyclone Fan Debris Kit, Crated	16,038.00	10,905.84
	Assembly Charge on Pan Units	Net	1,000.00
	Assembly Charge on Fixed Blades	Net	1,100.00

IMPORTANT:

- 1) Safety Chain Kit must be used at all times when moving equipment on any type of road.
- 2) OSHA, ASAE, SAE, and ANSI standards REQUIRE the use of Chain Guards, Deflectors, or Solid Skirts/Bands at all times. Schulte recommends mower be equipped with deflectors or double chain guards for all mowing purposes. Single chain guards may be used for agricultural purposes only and are specifically not recommended for highway, right-of-way, parks or greenbelt mowing. Before ordering a mower, read the Thrown Object Shield Message in the Rotary Cutter Spec section in sales price book.



* Above prices subject to a 7% steel tariff surcharge

MASTER PRICE SHEET



Schulte Industries Ltd.

100 John Schulte Dr., Englefeld, SK. Canada, S0K 1N0
 Tel: 306-287-3715 Fax: 306-287-3355 Toll Free: 1-800-404-6044
 Web: www.Schulte.ca



Sourcewell - Road Right Of Way Maintenance Equipment

MACHINE PRICES AND SPECIFICATIONS

5026 Rotary Cutter

CUTTER FEATURES

- 10GA deck
- Phasing cylinders (3) c/w hoses
- Wing lift cylinders (2) c/w hoses
- Suspension for center and wings
- Spring steel bushings at major pivot points
- 1000 RPM
- Deck protection rings
- S000-010 safety chain kit 1/4" grade 70 with 10,000 lbs capacity
- Two piece replaceable skid shoes
- Operator's manual in holder

~ ~ Selection 1 ~ Choose a Basic Unit ~ ~

		Retail Price	Contract Price
1)	C502-100 Basic 26' Unit, 1000 RPM	70,642.00	48,036.56
2)	S000-135 Safety Light Kit (Required)	768.00	522.24

~ ~ Selection 2 ~ Choose a Hitch Type and Accessories ~ ~

1)	C502-810 Trailing hitch, CV Style	1,516.00	1,030.88
	Choose a Clevis:		
a)	C502-113WG Solid Tongue	303.00	206.04
b)	C502-107WG Open Clevis	220.00	149.60
c)	C000-300WG Precision hitch	690.00	469.20
d)	C502-815WG Clevis with 2 3/16" Opening	464.00	315.52
e)	C502-816WG Solid Tongue with 2-3/16 hole for a 2" pin	756.00	514.08
	Choose a Tractor Shaft:		
a)	340-8082WG CV Shaft, 1 3/4" x 20 Spline	2,770.00	1,883.60
b)	340-8092WG CV Shaft, 1 3/8" x 21 Spline	2,705.00	1,839.40
2)	C502-820 Trailing Equal Angle Hitch Sub Assembly	2,639.00	1,794.52
	Must Choose a Hitch Block		
a)	C502-821 Category 3, fits up to a 1-1/2" pin and a drawbar 2-1/4" x 3-1/2"	377.00	256.36
b)	C502-822 Category 4, fits up to a 2" pin and a drawbar 2-1/2" x 5-1/8"	375.00	255.00
	Choose a Tractor Shaft:		
a)	340-5505WG Equal Angle Shaft, 1 3/8" x 21 Spline	1,346.00	915.28
b)	340-5509WG Equal Angle Shaft, 1 3/4" x 20 Spline	1,435.00	975.80

IMPORTANT: PTO Adaptor must not be used in any application.

* Above prices subject to a 7% steel tariff surcharge

MASTER PRICE SHEET



Schulte Industries Ltd.

100 John Schulte Dr., Englefeld, SK. Canada, S0K 1N0

Tel: 306-287-3715 Fax: 306-287-3355 Toll Free: 1-800-404-6044

Web: www.Schulte.ca



Sourcewell - Road Right Of Way Maintenance Equipment

MACHINE PRICES AND SPECIFICATIONS

5026 Rotary Cutter

~ ~ Selection 3 ~ Choose a Blade Configuration ~ ~

C502-250	Two Blade Pan Kit	6,401.00	4,352.68
C502-251	Two Blade Pan Kit with Shredder Blades	7,171.00	4,876.28
C502-270	Fixed Knife Shredder Kit with Updraft Blades	10,272.00	6,984.96
C502-280	Fixed Knife Shredder Kit with Flat Blades <i>(recommended for cotton)</i>	10,274.00	6,986.32

~ ~ Selection 4 ~ Choose a Safety Guard & Accessories ~ ~

C502-420	Single Safety Chains Front & Rear c/w Front Rubber Belting (recommended for cotton & corn)	3,634.00	2,471.12
C502-430	Single Safety Chains Front Only c/w Front & Rear Rubber Belting (recommended for dry grass staw, wheat straw & barley straw)	2,863.00	1,946.84
C502-500	Single Safety Chains Front & Rear	3,135.00	2,131.80
C502-440	Single Safety Chains Front & Rear c/w frt & rear belting	4,685.00	3,185.80
C502-550	Double Safety Chains Front & Rear	3,623.00	2,463.64

IMPORTANT: OSHA, ASAE, SAE, and ANSI standards REQUIRE the use of Chain Guards, Deflectors, or Solid Skirts/Bands at all times. Schulte recommends mower be equipped with deflectors or double chain guards for all mowing purposes. Single chain guards may be used for agricultural purposes only and are specifically not recommended for highway, right-of-way, parks or greenbelt mowing. Before ordering a mower, read the Thrown Object Shield Information Message in the Rotary Cutter Spec Section in the sales price book.

* Above prices subject to a 7% steel tariff surcharge

MASTER PRICE SHEET



Schulte Industries Ltd.

100 John Schulte Dr., Englefeld, SK. Canada, S0K 1N0
 Tel: 306-287-3715 Fax: 306-287-3355 Toll Free: 1-800-404-6044
 Web: www.Schulte.ca



Sourcewell - Road Right Of Way Maintenance Equipment

MACHINE PRICES AND SPECIFICATIONS

5026 Rotary Cutter

~ ~ Selection 5 ~ Choose Axle Option ~ ~

C502-643	Standard Axle Kit <i>(Choose 6 Tires cannot use stubble proof tires)</i>	5,055.00	3,437.40
C502-649	Standard Axle Kit <i>(Choose 8 Tires cannot use stubble proof tires)</i>	7,105.00	4,831.40
C502-644	Walking Axle Kit <i>(Choose 8 Tires cannot use stubble proof tires)</i>	6,378.00	4,337.04
C502-648	618 Walking Axle Kit <i>(Choose 8 tires Stubble proof only)</i>	6,972.00	4,740.96

~ ~ Selection 6 ~ Choose Tire Kit ~ ~

		Retail Price/Tire	Contract Price/Tire
210-182WG	Aircraft Tire <i>(Choose quantity of tires needed 6 or 8)</i>	524.00	356.32
210-182FWG	Foam Filled Aircraft Tire <i>(Choose quantity of tires needed 6 or 8)</i>	917.00	623.56
210-560WG	Tire Assembly Stubble Proof <i>(Choose 8 Tires)</i>	799.00	543.32
210-505WG	Light Truck Tire <i>(Choose quantity of tires needed 6 or 8)</i>	370.00	251.60

~ ~ Selection 7 ~ Schulte Fan Kit ~ ~

C502-780	Cyclone Fan Debris Kit, Factory Installed	17,184.00	11,685.12
C502-790	Cyclone Fan Debris Kit, Crated	16,355.00	11,121.40

~ ~ Selection 8 ~ Choose a Destination Code ~ ~

C502-NA	North America and Australia Destination Kit	132.00	89.76
----------------	---	---------------	--------------

~ ~ Selection 9 ~ Extra Options ~ ~

C502-625	Row crop Extension Kit	524.00	356.32
	Assembly charge on pan units	Net	650.00
	Assembly charge on fixed blade units	Net	750.00



* Above prices subject to a 7% steel tariff surcharge

MASTER PRICE SHEET



Schulte Industries Ltd.

100 John Schulte Dr., Englefeld, SK. Canada, S0K 1N0
 Tel: 306-287-3715 Fax: 306-287-3355 Toll Free: 1-800-404-6044
 Web: www.Schulte.ca



Sourcewell - Road Right Of Way Maintenance Equipment

MACHINE PRICES AND SPECIFICATIONS

5024 Rotary Cutter

CUTTER FEATURES

- 10GA deck
- Phasing cylinders (3) c/w hoses
- Wing lift cylinders (2) c/w hoses
- Suspension for center and wings
- Spring steel bushings at major pivot points
- 1000 RPM
- Deck protection rings
- S000-010 safety chain kit 1/4" grade 70 with 10,000 lbs capacity
- Two piece replaceable skid shoes
- Operator's manual in holder

~ ~ Selection 1 ~ Choose a Basic Unit ~ ~

		Retail Price	Contract Price
1)	C524-100 Basic 24' Unit, 1000 RPM	70,890.00	48,205.20
2)	S000-135 Safety Light Kit (Required)	768.00	522.24

~ ~ Selection 2 ~ Choose a Hitch Type and Accessories ~ ~

1)	C502-810 Trailing hitch, CV Style	1,516.00	1,030.88
	Choose a Clevis:		
	a) C502-113WG Solid Tongue	303.00	206.04
	b) C502-107WG Open Clevis	220.00	149.60
	c) C000-300WG Precision hitch	690.00	469.20
	d) C502-816WG Solid Tongue with 2-3/16" hole for 2" pin	756.00	514.08
	e) C502-815WG Clevis with 2 3/16" Opening	464.00	315.52
	f) C000-360WG Adjustable Clevis	356.00	242.08
	Choose a Tractor Shaft:		
	a) 340-8082WG CV Shaft, 1 3/4" x 20 Spline	2,770.00	1,883.60
	b) 340-8092WG CV Shaft, 1 3/8" x 21 Spline	2,705.00	1,839.40
2)	C502-820 Trailing Equal Angle Hitch Sub Assembly	2,639.00	1,794.52
	Must Choose a Hitch Block		
	a) C502-821 Category 3, fits up to a 1-1/2" pin and a drawbar 2-1/4" x 3-1/2"	377.00	256.36
	b) C502-822 Category 4, fits up to a 2" pin and a drawbar 2-1/2" x 5-1/8"	375.00	255.00
	Choose a Tractor Shaft:		
	a) 340-5505WG Equal Angle Shaft, 1 3/8" x 21 Spline	1,346.00	915.28
	b) 340-5509WG Equal Angle Shaft, 1 3/4" x 20 Spline	1,435.00	975.80

IMPORTANT: PTO Adaptor must not be used in any application.

*** Above prices subject to a 7% steel tariff surcharge**

MASTER PRICE SHEET



Schulte Industries Ltd.

100 John Schulte Dr., Englefeld, SK. Canada, S0K 1N0

Tel: 306-287-3715 Fax: 306-287-3355 Toll Free: 1-800-404-6044

Web: www.Schulte.ca



Sourcewell - Road Right Of Way Maintenance Equipment

MACHINE PRICES AND SPECIFICATIONS

5024 Rotary Cutter

~ ~ Selection 3 ~ Choose a Blade Configuration ~ ~

C524-250	Two Blade Pan Kit	5,984.00	4,069.12
----------	-------------------	----------	----------

~ ~ Selection 4 ~ Choose a Safety Guard & Accessories ~ ~

C524-575	Single Safety Chains Front & Rear c/w Front & Rear Half Belting	3,868.00	2,630.24
----------	---	----------	----------

~ ~ Selection 5 ~ Choose Axle Option ~ ~

C502-643	Standard Axle Kit <i>(Choose 6 tires cannot use stubble proof tires)</i>	5,055.00	3,437.40
C502-649	Standard Axle Kit <i>(choose 8 tires cannot use stubble proof tires)</i>	7,105.00	4,831.40
C502-644	Walking Axle Kit <i>(choose 8 tires cannot use stubble proof tires)</i>	6,378.00	4,337.04
C502-648	618 Walking Axle Kit <i>(Choose 8 tires Stubble proof only)</i>	6,972.00	4,740.96

~ ~ Selection 6 ~ Choose Tire Option ~ ~

210-182WG	Aircraft Tire <i>(Choose quantity of tires needed 6 or 8)</i>	524.00	356.32
210-182FWG	Foam Filled Aircraft Tire <i>(Choose quantity of tires needed 6 or 8)</i>	917.00	623.56
210-560WG	Tire Assembly Stubble Proof <i>(Choose 8 Tires)</i>	799.00	543.32
210-505WG	Light Truck Tire <i>(Choose quantity of tires needed 6 or 8)</i>	370.00	251.60

~ ~ Selection 7 ~ Schulte Fan Kit ~ ~

C502-780	Cyclone Fan Debris Kit, <i>Factory Installed</i>	17,184.00	11,685.12
C502-790	Cyclone Fan Debris Kit, <i>Crated</i>	16,355.00	11,121.40

* Above prices subject to a 7% steel tariff surcharge

MASTER PRICE SHEET



Schulte Industries Ltd.

100 John Schulte Dr., Englefeld, SK. Canada, S0K 1N0

Tel: 306-287-3715 Fax: 306-287-3355 Toll Free: 1-800-404-6044

Web: www.Schulte.ca



Sourcewell - Road Right Of Way Maintenance Equipment

MACHINE PRICES AND SPECIFICATIONS

5024 Rotary Cutter

~ ~ Selection 8 ~ Choose a Destination Code ~ ~

C524-NA	North America and Australia Destination Kit	84.00	57.12
---------	---	-------	-------

~ ~ Selection 9 ~ Extra Options ~ ~

C502-920	Crop dividers	332.00	225.76
C502-740	HYD Cooler Factory Installed	6,374.00	4,334.32
C502-745	HYD Cooler Factory Crated	6,072.00	4,128.96
C502-625	Row Crop Extension Kit	524.00	356.32
Assembly charge on pan units		Net	650.00



* Above prices subject to a 7% steel tariff surcharge

MASTER PRICE SHEET



Schulte Industries Ltd.

100 John Schulte Dr., Englefeld, SK. Canada, S0K 1N0

Tel: 306-287-3715 Fax: 306-287-3355 Toll Free: 1-800-404-6044

Web: www.Schulte.ca



Sourcewell - Road Right Of Way Maintenance Equipment

MACHINE PRICES AND SPECIFICATIONS

FX-520 Rotary Cutter

SPECIFICATIONS

- | | | |
|---|---|--|
| - Overall Width --- 247" (6.2m) | - Transport Width --- 91" (2.32m) | - Min. Tractor Size --- 100hp (75kw) |
| - Overall Length --- 242" (6.15m) | - Transport Height --- 120" (3.05m) | - Blade Tip Speed --- 16,000 ft/min |
| - Cutting Height --- 2" - 17.5"
(Depending on Tire Size) | - Cutting Capacity --- 2" (51mm)
2" (51mm) Fixed Knife | - Blade Overlap --- 6" (153mm) |
| - Cutting Width --- 240" (6.10m) | 4" (102 mm) Pan Unit | - Deck Thickness --- 180" (7 ga) (4.6mm) |

~ ~ Selection 1 ~ Choose a Basic Unit ~ ~

		<i>Retail Price</i>	<i>Contract Price</i>
1)	C520-100 Basic 20' Unit, 1000 RPM	57,353.00	39,000.04
2)	S000-080 Safety Light Kit (Required)	714.00	485.52

~ ~ Selection 2 ~ Choose a Hitch Type and Accessories ~ ~

2)	C520-800 Trailing hitch, CV Style	1,431.00	973.08
	Choose a Clevis:		
a)	C000-513WG Solid Tongue	585.00	397.80
b)	C000-507WG Open Clevis	541.00	367.88
c)	C000-500WG Precision hitch	927.00	630.36
d)	C000-516WG Solid Tongue with 2-3/16" hole for 2" pin	1,015.00	690.20
e)	C000-515WG Clevis with 2 3/16" Opening	760.00	516.80
f)	C000-510WG Pro Level Hitch	776.00	527.68
	Choose a Tractor Shaft:		
a)	340-8092WG CV Shaft, 1 3/8" x 21 Spline	2,705.00	1,839.40
b)	340-8082WG CV Shaft, 1 3/4" x 20 Spline	2,770.00	1,883.60

* Above prices subject to a 7% steel tariff surcharge

MASTER PRICE SHEET



Schulte Industries Ltd.

100 John Schulte Dr., Englefeld, SK. Canada, S0K 1N0

Tel: 306-287-3715 Fax: 306-287-3355 Toll Free: 1-800-404-6044

Web: www.Schulte.ca



Sourcewell - Road Right Of Way Maintenance Equipment

MACHINE PRICES AND SPECIFICATIONS

FX-520 Rotary Cutter

~ ~ Selection 3 ~ Choose a Blade Configuration ~ ~

1)	C520-250	Pan Kit with Updraft Blades and Shrouds	4,905.00	3,335.40
2)	C520-260	Pan Kit with Shredder Blades and Shrouds	5,879.00	3,997.72
3)	C520-265	Fixed Knife Shredder Kit with Updraft Blades & Shrouds	7,947.00	5,403.96
4)	C520-295	Fixed Knife Kit with Flat Blades & Shrouds (For Cotton)	7,694.00	5,231.92

~ ~ Selection 4 ~ Choose a Safety Guard and Accessories ~ ~

1)	C520-500	Single chains front and rear	2,139.00	1,454.52
2)	C520-550	Double chains front and rear	2,644.00	1,797.92
	a)	C520-580 Half Length Front Belting <i>(Must be used with a chain option)</i>	788.00	535.84

~ ~ Selection 5 ~ Choose Axle and Tire Option ~ ~

1)	C520-612	Standard 618 Axle kit <i>(Choose 4 Tires - Stubble Proof Only)</i>	5,382.00	3,659.76
2)	C520-614	517 Axle Kit c/w Center duals <i>(choose 6 Tires)</i>	5,569.00	3,786.92
3)	C520-616	517 Axle Kit c/w Center Walking <i>(choose 6 Tires)</i>	6,021.00	4,094.28
4)	C520-618	517 Dual Axle Kit <i>(Choose 8 Tires)</i>	6,295.00	4,280.60
5)	C520-622	517 Walking Axle kit <i>(Choose 8 Tires)</i>	7,270.00	4,943.60
6)	C520-624	517 Center Walking Axle c/w Duals on Wings <i>(Choose 8 Tires)</i>	6,731.00	4,577.08

~ ~ Selection 6 ~ Choose Axle and Tire Option ~ ~

			Retail Price/Tire	Contract Price/Tire
7)	210-560WG	Tire Assembly Stubble Proof <i>(Can only be used with C520-612)</i>	799.00	543.32
8)	210-182WG	Aircraft Tire <i>(Choose quantity of tires needed, 6 or 8)</i>	524.00	356.32
9)	210-182FWG	Foam Filled Aircraft Tire <i>(Choose quantity of tires needed, 6 or 8)</i>	917.00	623.56
10)	210-505WG	Light Truck Tire <i>(Choose quantity of tires needed, 6 or 8)</i>	370.00	251.60

* Above prices subject to a 7% steel tariff surcharge

MASTER PRICE SHEET



Schulte Industries Ltd.

100 John Schulte Dr., Englefeld, SK. Canada, S0K 1N0

Tel: 306-287-3715 Fax: 306-287-3355 Toll Free: 1-800-404-6044

Web: www.Schulte.ca



Sourcewell - Road Right Of Way Maintenance Equipment

MACHINE PRICES AND SPECIFICATIONS

FX-520 Rotary Cutter

~ ~ **Selection 7 ~ Choose a Destination Code** ~ ~

1)	C520-NA	North America and Australia Destination Kit	111.00	75.48
----	---------	---	---------------	--------------

	Assembly charge on pan units	Net	650.00
--	------------------------------	------------	---------------

	Assembly charge on fixed blade units	Net	750.00
--	--------------------------------------	------------	---------------



* Above prices subject to a 7% steel tariff surcharge

MASTER PRICE SHEET



Schulte Industries Ltd.

100 John Schulte Dr., Englefeld, SK. Canada, S0K 1N0

Tel: 306-287-3715 Fax: 306-287-3355 Toll Free: 1-800-404-6044

Web: www.Schulte.ca



Sourcewell - Road Right Of Way Maintenance Equipment

MACHINE PRICES AND SPECIFICATIONS

FX-320 Pan & Fixed Knife Rotary Cutter

SPECIFICATIONS

- Overall Width --- 249" (6.32m)	- Transport Width --- 98" (2.49m)	- Min. Tractor Size --- 100hp (75kw)
- Overall Length --- 242" (6.15m)	- Transport Height --- 100" (2.55m)	- Blade Tip Speed --- 16,031 ft/min (540 RPM)
- Cutting Height --- 2" - 19.5" (Depending on Tire Size)	- Cutting Capacity --- 2" (51mm) 2" (51mm) Fixed Knife	- Blade Tip Speed --- 16,289 ft/min (1000 RPM)
- Cutting Width --- 240" (6.10m)	4" (102 mm) Pan Unit	- Blade Overlap --- 6" (153mm)
		- Deck Thickness --- .180" (7 ga) (4.6mm)

~ ~ Selection 1 ~ Choose a Basic Unit ~ ~

		<i>Retail Price</i>	<i>Contract Price</i>
1)	C321-100 FX320 Base Unit	34,925.00	23,749.00
2)	S000-170 Safety Light Kit (Required)	906.00	616.08
	Choose a Drive Package:		
a)	C321-700 Drive Package, CW Center, 540 RPM	8,941.00	6,079.88
b)	C321-705 Drive Package, CW Center, 1000 RPM	8,722.00	5,930.96
	Choose Independent Wing Lift:		
a)	C321-310 Independent Wing Lift Kit (Required)	526.00	357.68

~ ~ Selection 2 ~ Choose a Hitch Type and Accessories ~ ~

1)	C185-180 Trailing hitch, CV Style	1,060.00	720.80
	Choose a Clevis:		
a)	C000-513WG Solid Tongue	585.00	397.80
b)	C000-507WG Open Clevis	541.00	367.88
c)	C000-500WG Precision hitch	927.00	630.36
d)	C000-516WG Solid Tongue with 2-3/16" hole for 2" pin	1,015.00	690.20
e)	C000-515WG Clevis with 2 3/16" Opening	760.00	516.80
f)	C000-510WG Pro Level Hitch	776.00	527.68
	Choose a Tractor Shaft:		
a)	340-870WG CV Shaft, 540 RPM	2,028.00	1,379.04
b)	340-648WG CV Shaft, 1000 RPM	1,624.00	1,104.32
c)	340-658WG CV Shaft 1000 RPM 1 3/4" shaft	2,210.00	1,502.80
2)	C185-196 Equal Angle Hitch Kit w/ 540 RPM Shaft c/w Non CV Drive Shaft	3,378.00	2,297.04

* Above prices subject to a 7% steel tariff surcharge

MASTER PRICE SHEET



Schulte Industries Ltd.

100 John Schulte Dr., Englefeld, SK. Canada, S0K 1N0

Tel: 306-287-3715 Fax: 306-287-3355 Toll Free: 1-800-404-6044

Web: www.Schulte.ca



Sourcewell - Road Right Of Way Maintenance Equipment

MACHINE PRICES AND SPECIFICATIONS

FX-320 Pan & Fixed Knife Rotary Cutter

~ ~ Selection 3 ~ Choose a Blade Configuration ~ ~

1)	C321-450	Pan Kit, 4" Blades	4,479.00	3,045.72
2)	C321-455	Pan Kit, 5" Blades	4,607.00	3,132.76
3)	C321-475	Fixed Knives Only <i>(Select Shrouding Kit Listed Below w/ Fixed Knife Kit)</i>	4,397.00	2,989.96
4)	C321-480	Shrouding Kit <i>(Shrouds only)</i>	1,165.00	792.20

~ ~ Selection 4 ~ Choose a Safety Guard and Accessories ~ ~

1)	C321-500	Single Safety Chains Front & Rear	2,310.00	1,570.80
2)	C321-510	Double Safety Chains Front & Rear	2,621.00	1,782.28
3)	C321-550	Front Half Belting	997.00	677.96
4)	C321-560	Rear Half Belting	982.00	667.76

~ ~ Selection 5 ~ Choose Axle and Tire Option ~ ~

Choose a Walking Axle Configuration, or Move down to Non Walking

1)	C350-820	Walking Axle Mounts <i>(4 tire kit, axles included)</i>	2,380.00	1,618.40
Choose 2 if wanting center & wings both walking, or choose 1 if you are wanting only center walking axles				

2)	C350-830	Non Walking Wing Axles <i>(2 Tire Kit, Axles Included)</i>	988.00	671.84
3)	C350-825	Non Walking Wing Axles <i>(4 Tire Kit, Axles Included)</i>	1,408.00	957.44

Or Choose a non walking axle kit below

4)	C321-865	Non Walking Wheel Standards - 8 Tires <i>(517 Hub - Center & Wings)</i>	2,822.00	1,918.96
5)	C321-870	Non Walking Wheel Standards - 6 Tires <i>(517 Hub - Center & Wings)</i>	2,457.00	1,670.76
6)	C321-875	Non Walking Wheel Standards - 4 Tires <i>(618 Hub - Center & Wings)</i>	2,400.00	1,632.00

~ ~ Selection 6 ~ Choose Axle and Tire Option ~ ~

			Retail Price/Tire	Contract Price/Tire
1)	210-560WG	Tire Assembly Stubble Proof <i>(Can only be used with C321-875)</i>	799.00	543.32
2)	210-540WG	Tire 24x8-14 20 Ply Rated Severe Duty	583.00	396.44
3)	210-540FWG	Tire 24x8-14 20 Ply Rated Severe Duty Foam Filled	877.00	596.36
4)	210-505WG	Light Truck Tire (ST205/90D-15/8 Ply)	370.00	251.60
5)	210-192WG	Solid Laminated Tire, 6 x 9 x 26	511.00	347.48

* Above prices subject to a 7% steel tariff surcharge

MASTER PRICE SHEET



Schulte Industries Ltd.

100 John Schulte Dr., Englefeld, SK. Canada, S0K 1N0

Tel: 306-287-3715 Fax: 306-287-3355 Toll Free: 1-800-404-6044

Web: www.Schulte.ca



Sourcewell - Road Right Of Way Maintenance Equipment

MACHINE PRICES AND SPECIFICATIONS

FX-320 Pan & Fixed Knife

Rotary Cutter

~ ~ **Selection 7 ~ Choose a Destination Code** ~ ~

1)	C321-NA	North America and Australia Destination Kit	115.00	78.20
		Assembly charge on pan units	Net	400.00
		Assembly charge on fixed blade units	Net	500.00



* Above prices subject to a 7% steel tariff surcharge

MASTER PRICE SHEET



Schulte Industries Ltd.

100 John Schulte Dr., Englefeld, SK. Canada, S0K 1N0
 Tel: 306-287-3715 Fax: 306-287-3355 Toll Free: 1-800-404-6044
 Web: www.Schulte.ca



Sourcewell - Road Right Of Way Maintenance Equipment

MACHINE PRICES AND SPECIFICATIONS

FX-318 Rotary Cutter (Pan Unit)

CUTTER FEATURES

- 540/1000 RPM 80° CV Drive
- 540 Equal angle non cv drive
- 7 ga Single Domed Deck and Stump Jumpers
- Rubber 3 Puck Grommet Suspension
- Cutting Height
- 90 HP Recommended Tractor
- Cutting Width 216" (5.5m)
- wings) 96"(2.4m)
- Replaceable Skid Shoes
- Height Control Cylinder & Hoses
- Wing Lift Cylinders & Hoses
- 1.75" to 16.75" (44.5mm to 425mm)
- Over Center Folding Wings
- Transport Width (max with duals on

~ ~ Selection 1 ~ Choose a Basic Unit, Drive Package ~ ~

		Retail Price	Contract Price
C318-100	Schulte FX-318, Basic Unit	26,938.00	18,317.84
S000-085	Safety Light Kit (Required)	673.00	457.64
Choose a Drive Package:			
a)	C318-735 Drive Package, CW Center, 540 RPM	8,302.00	5,645.36
b)	C318-720 Drive Package, CW Center, 1000 RPM	8,273.00	5,625.64

~ ~ Selection 2 ~ Trailing Hitch ~ ~

Note: It using Equal Angle Hitch Skip to Selection 3

C185-180	Trailing Hitch, CV Style (Required)	1,060.00	720.80
Choose a CV Shaft:			
a)	340-870WG CV Shaft, 540 RPM	2,028.00	1,379.04
b)	340-648WG CV Shaft, 1000 RPM	1,624.00	1,104.32
c)	340-658WG CV Shaft 1000 RPM 1 3/4" shaft	2,210.00	1,502.80
Choose a Clevis:			
C000-506WG	Open Clevis (Minimum Requirments)	495.00	336.60
C000-500WG	Precision hitch	927.00	630.36
C000-513WG	Solid Tongue	585.00	397.80
C000-510WG	Pro Level Hitch	776.00	527.68

~ ~ Selection 3 ~ Equal Angle Clevis ~ ~

C185-196	Equal Angle Hitch Kit w/ 540 RPM Shaft c/w Non CV Drive Shaft	3,378.00	2,297.04
----------	---	----------	----------

* Above prices subject to a 7% steel tariff surcharge

MASTER PRICE SHEET



Schulte Industries Ltd.

100 John Schulte Dr., Englefeld, SK. Canada, S0K 1N0

Tel: 306-287-3715 Fax: 306-287-3355 Toll Free: 1-800-404-6044

Web: www.Schulte.ca



Sourcewell - Road Right Of Way Maintenance Equipment

MACHINE PRICES AND SPECIFICATIONS

FX-318 Rotary Cutter (Pan Unit)

~ ~ Selection 4 ~ Choose a Chain Guards ~ ~

C318-500	Chain Guards Single Front and Rear	2,023.00	1,375.64
C318-550	Chain Guards Double Front and Rear	2,258.00	1,535.44
C318-560	Front Half Belting <i>(Must be used with a chain option)</i>	822.00	558.96
C318-570	Rear Half Belting <i>(Must be used with a chain option)</i>	780.00	530.40

~ ~ Selection 5 ~ Choose a Pan Kit ~ ~

C318-450	Pan Kit (required)	2,799.00	1,903.32
----------	--------------------	----------	----------

~ ~ Selection 6 ~ Choose a Blade Configuration ~ ~

C318-460	Updraft Blades, CW Center	705.00	479.40
C318-465	Super Updraft 5" Blades CW Center	844.00	573.92
C318-470	Shredder Blades, CW Center <i>(optional)</i>	1,137.00	773.16

~ ~ Selection 7 ~ Choose Both Wheel Standard Kits ~ ~

C318-810	Wing Wheel Standard, 1 or 2 Tires <i>Required</i>	1,210.00	822.80
C318-800	Dual Wheel Standard on the Center <i>Required</i>	1,440.00	979.20

~ ~ Selection 8 ~ Choose a Axle Kit ~ ~

C180-484	Axle Kit for 4 Tires	900.00	612.00
C180-486	Axle Kit for 6 Tires	1,433.00	974.44
C180-488	Axle Kit for 8 Tires	2,040.00	1,387.20

~ ~ Selection 9 ~ Choose a Tire Option ~ ~

Please state the quantity of tires that you would like to order as the numbers listed below are single tires and not tire kits.

		Retail Price/Tire	Contract Price/Tire
210-003WG	Solid Laminated Tires, 6 x 9 x 20	316.00	214.88
210-175WG	Forklift Tire 6.5 x 10 - 12 ply on 2 pce 5 bolt rim	445.00	302.60
210-175FWG	Foam Filled Forklift Tire 6.5 x 10 - 12 ply on 2 pce 5 bolt rim	776.00	527.68
210-540WG	Tire 24x8-14 20 Ply Rated Severe Duty	583.00	396.44
210-540FWG	Tire 24x8-14 20 Ply Rated Severe Duty Foam Filled	877.00	596.36
210-192WG	Solid Laminated Tire, 6 x 9 x 26	511.00	347.48

* Above prices subject to a 7% steel tariff surcharge

MASTER PRICE SHEET



Schulte Industries Ltd.

100 John Schulte Dr., Englefeld, SK. Canada, S0K 1N0

Tel: 306-287-3715 Fax: 306-287-3355 Toll Free: 1-800-404-6044

Web: www.Schulte.ca



Sourcewell - Road Right Of Way Maintenance Equipment

MACHINE PRICES AND SPECIFICATIONS

FX-318 Rotary Cutter (Pan Unit)

~ ~ Selection 10 ~ Choose a Destination Code ~ ~

C318-NA	North American & Australian Decal Kit	72.00	48.96
---------	---------------------------------------	-------	-------

~ ~ Selection 11 ~ Choose Extra Options ~ ~

C185-310	Independent Wing Lift	225.00	153.00
C000-620	Toolbox Mount & Toolbox Assembly Charge	1,402.00 Net	953.36 400.00



* Above prices subject to a 7% steel tariff surcharge

MASTER PRICE SHEET



Schulte Industries Ltd.

100 John Schulte Dr., Englefeld, SK. Canada, S0K 1N0

Tel: 306-287-3715 Fax: 306-287-3355 Toll Free: 1-800-404-6044

Web: www.Schulte.ca



Sourcewell - Road Right Of Way Maintenance Equipment

MACHINE PRICES AND SPECIFICATIONS

FX-212 Rotary Cutter

CUTTER FEATURES

- 540/1000 RPM 80° CV Drive
- 540 Equal angle non cv drive
- 7 ga Single Domed Deck and Stump Jumpers
- Rubber 3 Puck Grommet Suspension
- 90 HP Recommended Tractor
- Cutting Width 144-1/2" (3.65m)
- Replaceable Skid Shoes
- Height Control Cylinder & Hoses
- Wing Lift Cylinders & Hoses
- 1.75" to 16.75" (44.5mm to 425mm) Cutting Height
- Over Center Folding Wings
- Transport Width 87"(2.4m)

~ ~ Selection 1 ~ Choose a Basic Unit, Drive Package ~ ~

		Retail Price	Contract Price
C319-100	FX-212, Basic Unit	24,576.00	16,711.68
S000-085	Safety Light Kit (Required)	673.00	457.64
<i>DRIVE PACKAGE (choose one)</i>			
C319-735	CW Rotation on Center, 540 RPM G8 Shaft	5,750.00	3,910.00
C319-720	CW Rotation on Center, 1000 RPM G8 Shaft	5,722.00	3,890.96

~ ~ Selection 2 ~ Choose a Hitch Option ~ ~

C185-180	Trailing Hitch, CV Style	1,060.00	720.80
Choose a CV Shaft:			
a) 340-870WG	CV Shaft, 540 RPM	2,028.00	1,379.04
b) 340-648WG	CV Shaft, 1000 RPM	1,624.00	1,104.32
C185-196	Equal Angle Hitch Kit w/ 540 RPM Shaft	3,378.00	2,297.04

~ ~ Selection 3 ~ Choose a Clevis ~ ~

C000-506WG	Open Clevis (Minimum Requirments)	495.00	336.60
C000-500WG	Precision hitch	927.00	630.36
C000-510WG	Pro Level Hitch	776.00	527.68
C000-513WG	Solid Tongue	585.00	397.80

~ ~ Selection 4 ~ Choose Axle Kits ~ ~

C319-810	Single Axle Kit for Right Wing (Required) (accommodates 1 or 2 tires)	469.00	318.92
C318-800	Duals Wheel Standard on Center (Required)	1,440.00	979.20

PREDELIVERY SERVICE IS REQUIRED BY DEALER OR END USER

* Above prices subject to a 7% steel tariff surcharge

MASTER PRICE SHEET



Schulte Industries Ltd.

100 John Schulte Dr., Englefeld, SK. Canada, S0K 1N0

Tel: 306-287-3715 Fax: 306-287-3355 Toll Free: 1-800-404-6044

Web: www.Schulte.ca



Sourcewell - Road Right Of Way Maintenance Equipment

MACHINE PRICES AND SPECIFICATIONS

FX-212 Rotary Cutter

~ ~ Selection 5 ~ Choose a Safety Guard ~ ~

C319-500	Chain Guards Single Front & Rear	1,165.00	792.20
C319-550	Chain Guards Double Front & Rear	1,376.00	935.68
C319-560	Front Half Belting	576.00	391.68
C319-570	Rear Half Belting	520.00	353.60

~ ~ Selection 6 ~ Choose The Pan Kit ~ ~

C319-450	Pan Kit (required)	1,764.00	1,199.52
----------	--------------------	----------	----------

~ ~ Selection 7 ~ Choose a Blade Configuration ~ ~

C319-460	Updraft Blades, CW Center	463.00	314.84
----------	---------------------------	--------	--------

~ ~ Selection 8 ~ Choose an Axle Kit ~ ~

C190-485	Axle Kit for 5 Tires	1,222.00	830.96
C180-486	Axle Kit for 6 Tires	1,433.00	974.44

~ ~ Selection 9 ~ Choose a Tire Option ~ ~

Please state the quantity of tires that you would like to order as the numbers listed below are single tires and not tire kits.

210-003WG	Solid Laminated Tires, 6 x 9 x 20	316.00	214.88
210-175WG	Tire Assy, Forklift, 6.5 x 10 - 12 ply on 2 pce 5 bolt rim	445.00	302.60
210-175FWG	Foam Filled Forklift Tire 6.5 x 10 - 12 ply on 2 pce 5 bolt rim	776.00	527.68
210-540WG	Tire 24x8-14 20 Ply Rated Severe Duty	583.00	396.44
210-540FWG	Tire 24x8-14 20 Ply Rated Severe Duty Foam Filled	877.00	596.36
210-192WG	Solid Laminated Tire, 6 x 9 x 26	511.00	347.48

~ ~ Selection 10 ~ Choose a Destination Code ~ ~

C319-NA	North American & Australian Decal Kit	71.00	48.28
	Assembly Charge	Net	300.00

PREDELIVERY SERVICE IS REQUIRED BY DEALER OR END USER



* Above prices subject to a 7% steel tariff surcharge

MASTER PRICE SHEET



Schulte Industries Ltd.

100 John Schulte Dr., Englefeld, SK. Canada, S0K 1N0

Tel: 306-287-3715 Fax: 306-287-3355 Toll Free: 1-800-404-6044

Web: www.Schulte.ca



Sourcewell - Road Right Of Way Maintenance Equipment

MACHINE PRICES AND SPECIFICATIONS

TPX-318 3PT FOLDING FLEX WING

CUTTER FEATURES

- 1000 RPM CV Drive
- Heavy duty rubber coupler on drive line
- Fold up design for narrow transport width
- Greasable bushings
- Easy height adjustment
- Double acting wings
- Only one hydraulic circuit needed
- 2" to 17" Cutting Height

~ ~ Selection 1 ~ Choose a Basic Unit, Drive Package ~ ~

		<i>Retail Price</i>	<i>Contract Price</i>
C380-100	TPX-318 Base Unit c/w Fixed Knife Mulching System (Cotton, Corn, Sugar Cane Stalks)	39,403.00	26,794.04

~ ~ Selection 2 ~ Choose a Tractor Shaft ~ ~

340-829WG	CV Shaft, 1-3/8" Z21	2,055.00	1,397.40
340-833WG	CV Shaft, 1-3/4" Z20	2,124.00	1,444.32

~ ~ Selection 3 ~ Choose a Blade Option ~ ~

C380-400	Blades, Schulte Standard Updraft	976.00	663.68
----------	----------------------------------	--------	--------

~ ~ Selection 4 ~ Choose a Belting Option ~ ~

C380-530	TPX-318 Front Belting	605.00	411.40
C380-540	TPX-318 Rear Belting	608.00	413.44

~ ~ Selection 5 ~ Choose an Axle Style ~ ~

C380-480	TPX318 Solid Wheel Option	1,954.00	1,328.72
C380-485	TPX318 Castor Wheel Option	3,840.00	2,611.20

~ ~ Selection 6 ~ Choose an Tire Option ~ ~

(CHOOSE 4 TIRES PER UNIT, 2 LEFT & 2 RIGHT)

210-186WG	27 X 10.5-15 Skid Steer Tire, LEFT	498.00	338.64
210-187WG	27 X 10.5-15 Skid Steer Tire, RIGHT	498.00	338.64

~ ~ Selection 7 ~ Choose a Destination Code ~ ~

C380-NA	North American & Australian Decal Kit	79.00	53.72
	Assembly Charge	Net	400.00

PREDELIVERY SERVICE IS REQUIRED BY DEALER OR END USER



* Above prices subject to a 7% steel tariff surcharge

MASTER PRICE SHEET



Schulte Industries Ltd.

100 John Schulte Dr., Englefeld, SK. Canada, S0K 1N0

Tel: 306-287-3715 Fax: 306-287-3355 Toll Free: 1-800-404-6044

Web: www.Schulte.ca



Sourcewell - Road Right Of Way Maintenance Equipment

MACHINE PRICES AND SPECIFICATIONS

XH1500 Series 5 Rotary Cutter

CUTTER FEATURES

- 7GA deck
- Replaceable skid shoes
- Double safety chains front & rear
- Hydraulic phasing lift system
- Hydraulic wing lift system
- 517 Hubs and axles
- Single domed, sweep clean deck
- Rubber suspension - standard
- Four gearbox drive layout 240hp down, 275hp splitter
- Full floating front hitch
- Deck protection rings
- S000-010 safety chain kit 1/4" grade 70 with 10,000 lbs capacity
- 1/4" Round skid pans (Stump Jumpers)
- Pentagon blade bolt design
- Operator's manual in holder

~ ~ Selection 1 ~ Choose a Basic Unit ~ ~

	<i>Retail Price</i>	<i>Contract Price</i>
1) C350-100 <i>Basic Unit XH Series 5</i>	23,663.00	16,090.84
2) C350-200 <i>15' Option (Required)</i>	19,417.00	13,203.56
3) S000-160 <i>Safety Light Kit (Required)</i>	915.00	622.20
4) C301-830 <i>ISO Couplers (Required)</i>	79.00	53.72
<i>Choose a Drive Package:</i>		
a) C350-705 <i>CW Rotation Center 540 RPM (Std. Rotation)</i>	8,070.00	5,487.60
b) C350-715 <i>CW Rotation Center 1000 RPM (Std. Rotation)</i>	8,078.00	5,493.04
c) C350-700 <i>OR CCW Rotation on Center 540 RPM (Non Std Rotation)</i>	8,018.00	5,452.24
d) C350-710 <i>OR CCW Rotation on Center 1000 RPM (Non Std. Rotation)</i>	8,007.00	5,444.76

~ ~ Selection 2 ~ Choose a Hitch Type and Accessories ~ ~

1) C350-180 <i>Trailing Hitch CV Style</i>	1,125.00	765.00
<i>Choose a Clevis:</i>		
a) C000-506WG <i>Open Clevis (Minimum Requirement with a Flex Arm)</i>	495.00	336.60
b) C000-500WG <i>Precision Hitch (Can be used with a Flex Arm)</i>	927.00	630.36
c) C000-513WG <i>Solid tongue (Can be used with a Flex Arm)</i>	585.00	397.80
d) C000-515WG <i>Clevis 2 3/16 " opening (Can be used with a Flex Arm)</i>	760.00	516.80
e) C000-510WG <i>Pro Level Hitch (Can <u>NOT</u> be used with a Flex Arm)</i>	776.00	527.68
<i>Choose a Tractor Shaft:</i>		
a) 340-870WG <i>CV Shaft, 540 rpm</i>	2,028.00	1,379.04
b) 340-648WG <i>CV Shaft, 1000 rpm</i>	1,624.00	1,104.32
c) 340-658WG <i>CV Shaft 1000 RPM 1 3/4" shaft</i>	2,210.00	1,502.80
2) C350-196 <i>Equal Angle Hitch Kit w/ 540 RPM Shaft</i>	3,629.00	2,467.72

~ ~ Selection 3 ~ Choose Hydraulic Option ~ ~

1) C350-805 <i>Independent Double Acting Hose Kit OR</i>	439.00	298.52
2) C350-810 <i>Double Acting Hose Kit</i>	374.00	254.32

*** Above prices subject to a 7% steel tariff surcharge**

MASTER PRICE SHEET



Schulte Industries Ltd.

100 John Schulte Dr., Englefeld, SK. Canada, S0K 1N0

Tel: 306-287-3715 Fax: 306-287-3355 Toll Free: 1-800-404-6044

Web: www.Schulte.ca



Sourcewell - Road Right Of Way Maintenance Equipment

MACHINE PRICES AND SPECIFICATIONS

XH1500 Series 5 Rotary Cutter

~ ~ Selection 4 ~ Choose a Blade Configuration ~ ~

1)	C350-450	2 Blade Pan Kit - cw Schulte Super Suction Updraft 4" Blades	465.00	316.20
2)	C350-451	2 Blade Pan Kit - ccw Schulte Super Suction Updraft 4" Blades	465.00	316.20
3)	C350-455	2 Blade Pan Kit - cw Schulte Super Suction Updraft 5" Blades	577.00	392.36
4)	C350-456	2 Blade Pan Kit - ccw Schulte Super Suction Updraft 5" Blades	567.00	385.56

~ ~ Selection 5 ~ Choose a Center Axle Kit ~ ~

1)	C350-820	Walking (Axles Included)	2,380.00	1,618.40
2)	C350-825	Non Walking (4 Tire Kit, Axles Included)	1,408.00	957.44
3)	C350-350	Large Tire Option - Center Section (2 Tires)	3,738.00	2,541.84

C350-350 Includes mounts & tires - Only select tires for the wing axle option

~ ~ Selection 6 ~ Choose a Wing Axle Kit ~ ~

1)	C350-820	Walking (Axles Included)	2,380.00	1,618.40
2)	C350-830	Non Walking (2 Tire Kit, Axles Included)	988.00	671.84
3)	C350-825	Non Walking (4 Tire Kit, Axles Included)	1,408.00	957.44

~ ~ Selection 7 ~ Choose a Tire Option ~ ~

Please state the quantity of tires that you would like to order as the numbers listed below are just single tires and not a tire kit.

			Retail Price/Tire	Contract Price/Tire
1)	210-186WG	27 X 10.5-15 Skid Steer Tire, LEFT	498.00	338.64
2)	210-187WG	27 X 10.5-15 Skid Steer Tire, RIGHT	498.00	338.64
3)	210-186FWG	Foam Filled, 27 X 10.5-15 Skid Steer Tire, LEFT	1,218.00	828.24
4)	210-187FWG	Foam Filled, 27 X 10.5-15 Skid Steer Tire, RIGHT	1,218.00	828.24
NOTE: If choosing skid steer tires, be sure to choose correct amount of left & right tires				
5)	210-182WG	Aircraft Tire (29 x 9-15/16 ply)	524.00	356.32
6)	210-182FWG	Foam Filled Aircraft Tire (29 x 9-15/16 ply)	917.00	623.56
7)	210-192WG	Solid Laminated Tire, 6 x 9 x 26	511.00	347.48

~ ~ Selection 8 ~ Choose a Destination Package ~ ~

Please select the destination of the cutter for proper Decals, Manuals, and Shielding

1)	C350-NA	North American/ Australia Destination Kits	77.00	52.36
----	---------	--	-------	-------

*** Above prices subject to a 7% steel tariff surcharge**

MASTER PRICE SHEET



Schulte Industries Ltd.

100 John Schulte Dr., Englefeld, SK. Canada, S0K 1N0

Tel: 306-287-3715 Fax: 306-287-3355 Toll Free: 1-800-404-6044

Web: www.Schulte.ca



Sourcewell - Road Right Of Way Maintenance Equipment

MACHINE PRICES AND SPECIFICATIONS

XH1500 Series 5 Rotary Cutter

~ ~ Selection 9 ~ Extra Options ~ ~

1)	C350-540	Rear Half Belting Kit	948.00	644.64
2)	C308-890	Tire Bumper Kit	895.00	608.60
3)	C350-880	Right Hand Gauge Wheel Kit	934.00	635.12
4)	C350-885	Left Hand Gauge Wheel Kit	934.00	635.12
5)	C306-305	Flex Arm Mount	233.00	158.44
6)	C000-620	Toolbox Mount & Toolbox	1,402.00	953.36
Assembly Charge			Net	400.00

OPTIONAL PDI INCLUDES: greasing of all pivot points, gearbox oil checked, charge hydraulic cylinders and install pioneer ends. Tires will be installed where necessary. It is the dealers responsibility to remove shipping brackets & banding as well as to adjust mower height as specified in the operators manual. Please go to the Schulte website/dealer access for further information.

PREDELIVERY SERVICE IS REQUIRED BY DEALER OR END USER



*** Above prices subject to a 7% steel tariff surcharge**

MASTER PRICE SHEET



Schulte Industries Ltd.

100 John Schulte Dr., Englefeld, SK. Canada, S0K 1N0

Tel: 306-287-3715 Fax: 306-287-3355 Toll Free: 1-800-404-6044

Web: www.Schulte.ca

Sourcewell - Road Right Of Way Maintenance Equipment

MACHINE PRICES AND SPECIFICATIONS

XH1500 Series 5 Rotary Cutter SFT Pro Drivelines



CUTTER FEATURES

- 7GA deck
- Replaceable skid shoes
- Double safety chains front & rear
- Hydraulic phasing lift system
- Hydraulic wing lift system
- 517 Hubs and axles
- Single domed, sweep clean deck
- Rubber suspension - standard
- Four gearbox drive layout
240hp down, 275hp splitter
- Full floating front hitch
- Deck protection rings
- S000-010 safety chain kit 1/4" grade 70
with 10,000 lbs capacity
- 1/4" Round skid pans (Stump Jumpers)
- Pentagon blade bolt design
- Operator's manual in holder

~ ~ Selection 1 ~ Choose a Basic Unit ~ ~

		Retail Price	Contract Price
1)	C350-100 Basic Unit XH Series 5	23,663.00	16,090.84
2)	C350-200 15' Option (Required)	19,417.00	13,203.56
3)	S000-160 Safety Light Kit (Required)	915.00	622.20
4)	C301-830 ISO Couplers (Required)	79.00	53.72
Choose a Drive Package:			
a)	C350-705PRO SFT Pro Package - CW Rotation Center 540 RPM (Std. Rotation)	12,415.00	8,442.20
b)	C350-715PRO SFT Pro Package - CW Rotation Center 1000 RPM (Std. Rotation)	12,378.00	8,417.04
c)	C350-700PRO SFT Pro Package - CCW Rotation on Center 540 RPM (Non Std Rotation)	12,411.00	8,439.48
d)	C350-710PRO SFT Pro Package - CCW Rotation on Center 1000 RPM (Non Std. Rotation)	12,318.00	8,376.24

~ ~ Selection 2 ~ Choose a Hitch Type and Accessories ~ ~

1)	C350-180 Trailing Hitch CV Style	1,125.00	765.00
Choose a Clevis:			
a)	C000-506WG Open Clevis (Minimum Requirement with a Flex Arm)	495.00	336.60
b)	C000-500WG Precision Hitch (Can be used with a Flex Arm)	927.00	630.36
c)	C000-513WG Solid tongue (Can be used with a Flex Arm)	585.00	397.80
d)	C000-515WG Clevis 2 3/16 " opening (Can be used with a Flex Arm)	760.00	516.80
e)	C000-510WG Pro Level Hitch (Can NOT be used with a Flex Arm)	776.00	527.68
Choose a Tractor Shaft:			
a)	340-F501WG SFT Pro CV Shaft, 540 rpm	4,569.00	3,106.92
b)	340-F401WG SFT Pro CV Shaft, 1000 rpm, 1-3/8" Shaft	4,337.00	2,949.16
2)	C350-196 Equal Angle Hitch Kit w/ 540 RPM Shaft	3,629.00	2,467.72

~ ~ Selection 3 ~ Choose Hydraulic Option ~ ~

1)	C350-805 Independent Double Acting Hose Kit OR	439.00	298.52
2)	C350-810 Double Acting Hose Kit	374.00	254.32

*** Above prices subject to a 7% steel tariff surcharge**

MASTER PRICE SHEET



Schulte Industries Ltd.

100 John Schulte Dr., Englefeld, SK. Canada, S0K 1N0

Tel: 306-287-3715 Fax: 306-287-3355 Toll Free: 1-800-404-6044

Web: www.Schulte.ca



Sourcewell - Road Right Of Way Maintenance Equipment

MACHINE PRICES AND SPECIFICATIONS

XH1500 Series 5 Rotary Cutter SFT Pro Drivelines

~ ~ Selection 4 ~ Choose a Blade Configuration ~ ~

1)	C350-450	2 Blade Pan Kit - cw Schulte Super Suction Updraft 4" Blades	465.00	316.20
2)	C350-451	2 Blade Pan Kit - ccw Schulte Super Suction Updraft 4" Blades	465.00	316.20
3)	C350-455	2 Blade Pan Kit - cw Schulte Super Suction Updraft 5" Blades	577.00	392.36
4)	C350-456	2 Blade Pan Kit - ccw Schulte Super Suction Updraft 5" Blades	567.00	385.56

~ ~ Selection 5 ~ Choose a Center Axle Kit ~ ~

1)	C350-820	Walking (Axles Included)	2,380.00	1,618.40
2)	C350-825	Non Walking (4 Tire Kit, Axles Included)	1,408.00	957.44
3)	C350-350	Large Tire Option - Center Section (2 Tires)	3,738.00	2,541.84

C350-350 Includes mounts & tires - Only select tires for the wing axle option

~ ~ Selection 6 ~ Choose a Wing Axle Kit ~ ~

1)	C350-820	Walking (Axles Included)	2,380.00	1,618.40
2)	C350-830	Non Walking (2 Tire Kit, Axles Included)	988.00	671.84
3)	C350-825	Non Walking (4 Tire Kit, Axles Included)	1,408.00	957.44

~ ~ Selection 7 ~ Choose a Tire Option ~ ~

Please state the quantity of tires that you would like to order as the numbers listed below are just single tires and not a tire kit.

			Retail Price/Tire	Contract Price/Tire
1)	210-186WG	27 X 10.5-15 Skid Steer Tire, LEFT	498.00	338.64
2)	210-187WG	27 X 10.5-15 Skid Steer Tire, RIGHT	498.00	338.64
3)	210-186FWG	Foam Filled, 27 X 10.5-15 Skid Steer Tire, LEFT	1,218.00	828.24
4)	210-187FWG	Foam Filled, 27 X 10.5-15 Skid Steer Tire, RIGHT	1,218.00	828.24
NOTE: If choosing skid steer tires, be sure to choose correct amount of left & right tires				
5)	210-182WG	Aircraft Tire (29 x 9-15/16 ply)	524.00	356.32
6)	210-182FWG	Foam Filled Aircraft Tire (29 x 9-15/16 ply)	917.00	623.56
7)	210-192WG	Solid Laminated Tire, 6 x 9 x 26	511.00	347.48

~ ~ Selection 8 ~ Choose a Destination Package ~ ~

Please select the destination of the cutter for proper Decals, Manuals, and Shielding

1)	C350-NA	North American/ Australia Destination Kits	77.00	52.36
----	---------	--	-------	-------

*** Above prices subject to a 7% steel tariff surcharge**

MASTER PRICE SHEET



Schulte Industries Ltd.

100 John Schulte Dr., Englefeld, SK. Canada, S0K 1N0

Tel: 306-287-3715 Fax: 306-287-3355 Toll Free: 1-800-404-6044

Web: www.Schulte.ca



Sourcewell - Road Right Of Way Maintenance Equipment

MACHINE PRICES AND SPECIFICATIONS

XH1500 Series 5 Rotary Cutter

SFT Pro Drivelines

~ ~ Selection 9 ~ Extra Options ~ ~

1)	C350-540	Rear Half Belting Kit	948.00	644.64
2)	C308-890	Tire Bumper Kit	895.00	608.60
3)	C350-880	Right Hand Gauge Wheel Kit	934.00	635.12
4)	C350-885	Left Hand Gauge Wheel Kit	934.00	635.12
5)	C306-305	Flex Arm Mount	233.00	158.44
6)	C000-620	Toolbox Mount & Toolbox	1,402.00	953.36
Assembly Charge			Net	400.00

OPTIONAL PDI INCLUDES: greasing of all pivot points, gearbox oil checked, charge hydraulic cylinders and install pioneer ends. Tires will be installed where necessary. It is the dealers responsibility to remove shipping brackets & banding as well as to adjust mower height as specified in the operators manual. Please go to the Schulte website/dealer access for further information.

PREDELIVERY SERVICE IS REQUIRED BY DEALER OR END USER



*** Above prices subject to a 7% steel tariff surcharge**

MASTER PRICE SHEET



Schulte Industries Ltd.

100 John Schulte Dr., Englefeld, SK. Canada, S0K 1N0

Tel: 306-287-3715 Fax: 306-287-3355 Toll Free: 1-800-404-6044

Web: www.Schulte.ca



Sourcewell - Road Right Of Way Maintenance Equipment

MACHINE PRICES AND SPECIFICATIONS

Cutter Command System

CUTTER COMMAND SYSTEM FEATURES

- Speed sensors measure RPM to detect slipping and alert the operator
- Temperature sensors measure the gearboxes oil temperature
- Minimizes the risk of premature gearbox failures
- System logs the total working hours of the cutter
- System provides service reminders at the appropriate time intervals
- Helps prevent clutch overheating
- Helps reduce downtime and repair costs
- Streamlines billing and improves operations

~ ~ XH1500 Series 5 Cutter Command System ~ ~

		<i>Retail Price</i>	<i>Contract Price</i>
1)	C350-910 XH1500 1000RPM Monitor System - Customer Installed	8,466.00	5,756.88
2)	C350-915 XH1500 1000RPM Monitor System - Factory Installed	9,495.00	6,456.60
3)	C350-930 XH1500 540RPM Monitor System - Customer Installed	8,466.00	5,756.88
4)	C350-935 XH1500 540RPM Monitor System - Factory Installed	9,495.00	6,456.60

~ ~ XH1000 Series 5 Cutter Command System ~ ~

1)	C350-920 XH1000 1000RPM Monitor System - Customer Installed	7,258.00	4,935.44
2)	C350-925 XH1000 1000RPM Monitor System - Factory Installed	7,895.00	5,368.60
3)	C350-940 XH1000 540RPM Monitor System - Customer Installed	7,260.00	4,936.80
4)	C350-945 XH1000 540RPM Monitor System - Factory Installed	7,895.00	5,368.60



* Above prices subject to a 7% steel tariff surcharge

MASTER PRICE SHEET



Schulte Industries Ltd.

100 John Schulte Dr., Englefeld, SK. Canada, S0K 1N0

Tel: 306-287-3715 Fax: 306-287-3355 Toll Free: 1-800-404-6044

Web: www.Schulte.ca



Sourcewell - Road Right Of Way Maintenance Equipment

MACHINE PRICES AND SPECIFICATIONS

XH1000 Series 5 Rotary Cutter

CUTTER FEATURES

- 7GA deck
- Replaceable skid shoes
- Double safety chains front & rear
- Hydraulic phasing lift system
- Hydraulic wing lift system
- 517 Hubs and axles
- Single domed, sweep clean deck
- Rubber suspension - standard
- Four gearbox drive layout
- 240hp down, 275hp splitter
- Full floating front hitch
- Deck protection rings
- S000-010 safety chain kit 1/4" grade 70 with 10,000 lbs capacity
- 1/4" Round skid pans (Stump Jumpers)
- Pentagon blade bolt design
- Operator's manual in holder

~ ~ Selection 1 ~ Choose a Basic Unit and Drive Package ~ ~

		Retail Price	Contract Price
1)	C350-100 Basic Unit XH Series 5	23,663.00	16,090.84
2)	C350-250 10' Option (Required)	17,380.00	11,818.40
3)	S000-165 Safety Light Kit (Required)	1,131.00	769.08
4)	C302-830 ISO Couplers (Required)	61.00	41.48
	Choose a Drive Package:		
a)	C350-745 CW Rotation on Center, 540 RPM, (Std. Rotation)	5,741.00	3,903.88
b)	C350-755 CW Rotation on Center, 1000 RPM (Std. Rotation)	5,745.00	3,906.60

~ ~ Selection 2 ~ Choose a Hitch Type and Accessories ~ ~

1)	C350-180 Trailing Hitch CV Style	1,125.00	765.00
	Choose a Clevis:		
a)	C000-506WG Open Clevis (Minimum Requirement with a Flex Arm)	495.00	336.60
b)	C000-500WG Precision Hitch (Can be used with a Flex Arm)	927.00	630.36
c)	C000-513WG Solid tongue (Can be used with a Flex Arm)	585.00	397.80
d)	C000-515WG Clevis 2 3/16 " opening (Can be used with a Flex Arm)	760.00	516.80
e)	C000-510WG Pro Level Hitch (Can <u>NOT</u> be used with a Flex Arm)	776.00	527.68
	Choose a Tractor Shaft:		
a)	340-870WG CV Shaft, 540 rpm	2,028.00	1,379.04
b)	340-648WG CV Shaft, 1000 rpm	1,624.00	1,104.32
c)	340-658WG CV Shaft 1000 RPM 1 3/4" shaft	2,210.00	1,502.80
2)	C350-196 Equal Angle Hitch Kit w/ 540 RPM Shaft	3,629.00	2,467.72

~ ~ Selection 3 ~ Choose Hydraulic Option ~ ~

1)	C350-815 Independent Double Acting Hose Kit Required	216.00	146.88
----	---	--------	--------

* Above prices subject to a 7% steel tariff surcharge

MASTER PRICE SHEET



Schulte Industries Ltd.

100 John Schulte Dr., Englefeld, SK. Canada, S0K 1N0

Tel: 306-287-3715 Fax: 306-287-3355 Toll Free: 1-800-404-6044

Web: www.Schulte.ca



Sourcewell - Road Right Of Way Maintenance Equipment

MACHINE PRICES AND SPECIFICATIONS

XH1000 Series 5 Rotary Cutter

~ ~ Selection 4 ~ Choose a Blade Configuration ~ ~

1)	C350-470	2 Blade Pan kit - CW Schulte Super Suction Updraft 4" Blades	299.00	203.32
2)	C350-475	2 Blade Pan kit - CW Schulte Super Suction Updraft 5" Blades	399.00	271.32

~ ~ Selection 5 ~ Choose a Center Axle Kit ~ ~

1)	C350-820	Walking Axle <i>(Axles Included)</i>	2,380.00	1,618.40
2)	C350-825	Non Walking <i>(4 Tire Kit, Axles Included)</i>	1,408.00	957.44
3)	C350-350	Large Tire Option - Center Section <i>(2 Tires)</i>	3,738.00	2,541.84

C350-350 Includes mounts & tires - Only select tires for the wing axle option

~ ~ Selection 6 ~ Choose a Wing Axle Kit ~ ~

1)	C350-835	Walking Axle <i>(Axle Included)</i>	1,184.00	805.12
2)	C350-840	Non Walking <i>(1 Tire Kit, Axle Included)</i>	495.00	336.60
3)	C350-845	Non Walking <i>(2 Tire Kit, Axles Included)</i>	705.00	479.40

~ ~ Selection 7 ~ Choose a Tire Option ~ ~

Please state the quantity of tires that you would like to order as the numbers listed below are just single tires and not a tire kit.

			Retail Price/Tire	Contract Price/Tire
1)	210-186WG	27 X 10.5-15 Skid Steer Tire, LEFT	498.00	338.64
2)	210-187WG	27 X 10.5-15 Skid Steer Tire, RIGHT	498.00	338.64
3)	210-186FWG	Foam Filled, 27 X 10.5-15 Skid Steer Tire, LEFT	1,218.00	828.24
4)	210-187FWG	Foam Filled, 27 X 10.5-15 Skid Steer Tire, RIGHT	1,218.00	828.24
<i>NOTE: If choosing skid steer tires, be sure to choose correct amount of left & right tires</i>				
5)	210-182WG	Aircraft Tire (29 x 9-15/16 Ply)	524.00	356.32
6)	210-182FWG	Foam Filled Aircraft Tire (29 x 9-15/16 Ply)	917.00	623.56
7)	210-192WG	Solid Laminated Tire, 6 x 9 x 26	511.00	347.48

~ ~ Selection 8 ~ Choose a Destination Package ~ ~

Please select the destination of the cutter for proper Decals, Manuals, and Shielding

1)	C350-NA10	North American/ Australia Destination Kits	75.00	51.00
----	-----------	--	-------	-------

* Above prices subject to a 7% steel tariff surcharge

MASTER PRICE SHEET



Schulte Industries Ltd.

100 John Schulte Dr., Englefeld, SK. Canada, S0K 1N0

Tel: 306-287-3715 Fax: 306-287-3355 Toll Free: 1-800-404-6044

Web: www.Schulte.ca



Sourcewell - Road Right Of Way Maintenance Equipment

MACHINE PRICES AND SPECIFICATIONS

XH1000 Series 5 Rotary Cutter

~ ~ Selection 9 ~ Extra Options ~ ~

1)	C350-550	XH1000 S5 Rear Half Belting Kit	687.00	467.16
2)	C350-880	Right Hand Gauge Wheel Kit	934.00	635.12
3)	C306-305	Flex Arm Mount	233.00	158.44
4)	C000-620	Toolbox Mount & Toolbox	1,402.00	953.36
Assembly Charge			Net	300.00

OPTIONAL PDI INCLUDES: greasing of all pivot points, gearbox oil checked, charge hydraulic cylinders and install pioneer ends. Tires will be installed where necessary. It is the dealers responsibility to remove shipping brackets & banding as well as to adjust mower height as specified in the operators manual. Please go to the Schulte website/dealer access for further information.

PREDELIVERY SERVICE IS REQUIRED BY DEALER OR END USER



*** Above prices subject to a 7% steel tariff surcharge**

MASTER PRICE SHEET



Schulte Industries Ltd.

100 John Schulte Dr., Englefeld, SK. Canada, S0K 1N0

Tel: 306-287-3715 Fax: 306-287-3355 Toll Free: 1-800-404-6044

Web: www.Schulte.ca



Sourcewell - Road Right Of Way Maintenance Equipment

MACHINE PRICES AND SPECIFICATIONS

FX-1800 Rotary Cutter (Pan Unit)

CUTTER FEATURES

- 540/1000 RPM Drive
- 7 ga. Spun Formed Stump Jumpers
- Replaceable Skid Shoes
- 7 ga Single Domed Deck
- Deck Protection Rings
- Over Center Folding Wings
- Transport Width (max with duals on wings) 102"(2.59m)
- 80 Degree CV Drive
- Height Control Cylinder & Hoses
- Wing Lift Cylinders & Hoses
- S000-010 Safety Chain (1/4" gr.70 - 10000lbs cap.)
- Operator's and Parts Manual Holder
- Cutting Width 180" (4.57m)

~ ~ Selection 1 ~ Choose a Basic Unit, Drive Package ~ ~

		Retail Price	Contract Price
C185-100	Schulte FX-1800, Basic Unit	22,539.00	15,326.52
S000-085	Safety Light Kit (Required)	673.00	457.64
Choose a Drive Package:			
a)	C306-705 Drive Package, CW Center, 540 RPM	7,829.00	5,323.72
b)	C306-715 Drive Package, CW Center, 1000 RPM	7,804.00	5,306.72

~ ~ Selection 2 ~ Choose a Hitch Option ~ ~

C185-180	Trailing Hitch, CV Style	1,060.00	720.80
Choose a CV Shaft:			
a)	340-870WG CV Shaft, 540 RPM	2,028.00	1,379.04
b)	340-648WG CV Shaft, 1000 RPM	1,624.00	1,104.32
c)	340-658WG CV Shaft 1000 RPM 1 3/4" shaft	2,210.00	1,502.80
C185-196	Equal Angle Hitch Kit w/ 540 RPM Shaft	3,378.00	2,297.04

~ ~ Selection 3 ~ Choose a Clevis ~ ~

C000-506WG	Open Clevis (Minimum Requirements)	495.00	336.60
C000-500WG	Precision hitch	927.00	630.36
C000-513WG	Solid Tongue	585.00	397.80
C000-510WG	Pro Level Hitch	776.00	527.68

~ ~ Selection 4 ~ Choose One Center Axle Mount Style ~ ~

C185-820	Walking (Axles Included)	2,971.00	2,020.28
C185-830	Non Walking (2 Tire Kit, Axles Included)	1,059.00	720.12
C185-825	Non Walking (4 Tire Kit, Axles Included)	1,671.00	1,136.28

* Above prices subject to a 7% steel tariff surcharge

MASTER PRICE SHEET



Schulte Industries Ltd.

100 John Schulte Dr., Englefeld, SK. Canada, S0K 1N0

Tel: 306-287-3715 Fax: 306-287-3355 Toll Free: 1-800-404-6044

Web: www.Schulte.ca



Sourcewell - Road Right Of Way Maintenance Equipment

MACHINE PRICES AND SPECIFICATIONS

FX-1800 Rotary Cutter (Pan Unit)

~ ~ Selection 5 ~ Choose One Wing Axle Mount Style ~ ~

C185-820	Walking <i>(Axles Included)</i>	2,971.00	2,020.28
C185-830	Non Walking <i>(2 Tire Kit, Axles Included)</i>	1,059.00	720.12
C185-825	Non Walking <i>(4 Tire Kit, Axles Included)</i>	1,671.00	1,136.28

~ ~ Selection 6 ~ Choose a Safety Guard ~ ~

C180-520	Chain Guards Single Front and Rear	1,458.00	991.44
C180-500	Chain Guards Double Front and Rear	1,671.00	1,136.28

~ ~ Selection 7 ~ Choose a Pan Kit ~ ~

C316-450	Pan Kit (required)	2,239.00	1,522.52
----------	--------------------	----------	----------

~ ~ Selection 8 ~ Choose a Blade Configuration ~ ~

C316-451	CW Schulte Super Suction Updraft 4" Blades	Or	669.00	454.92
C316-459	CW Schulte Super Suction Updraft 5" Blades		878.00	597.04

~ ~ Selection 9 ~ Choose a Tire Option ~ ~

Please state the quantity of tires that you would like to order as the numbers listed below are single tires and not tire kits.

		Retail Price/Tire	Contract Price/Tire
210-003WG	Solid Laminated Tires, 6 x 9 x 20	316.00	214.88
210-175WG	Forklift Tire 6.5 x 10 - 12 ply on 2 pce 5 bolt rim	445.00	302.60
210-175FWG	Foam Filled Forklift Tire 6.5 x 10 - 12 ply on 2 pce 5 bolt rim	776.00	527.68
210-540WG	Tire 24x8-14 20 Ply Rated Severe Duty	583.00	396.44
210-540FWG	Tire 24x8-14 20 Ply Rated Severe Duty Foam Filled	877.00	596.36
210-192WG	Solid Laminated Tire, 6 x 9 x 26	511.00	347.48

~ ~ Selection 10 ~ Choose a Destination Code ~ ~

C185-NA	North American & Australian Decal Kit	75.00	51.00
---------	---------------------------------------	-------	-------

* Above prices subject to a 7% steel tariff surcharge

MASTER PRICE SHEET



Schulte Industries Ltd.

100 John Schulte Dr., Englefeld, SK. Canada, S0K 1N0

Tel: 306-287-3715 Fax: 306-287-3355 Toll Free: 1-800-404-6044

Web: www.Schulte.ca



Sourcewell - Road Right Of Way Maintenance Equipment

MACHINE PRICES AND SPECIFICATIONS

FX-1800 Rotary Cutter (Pan Unit)

~ ~ Selection 11 ~ Choose Extra Options ~ ~

C185-304	Strut Mount for Flex Arm,(Factory Installed)	876.00	595.68
C185-305	Strut Mount for Flex Arm, (parts only)	374.00	254.32
C185-325	Tension Link Leveling Rod , Factory Installed	326.00	221.68
C185-330	Tension Link Leveling Rod , Weld on Parts only	408.00	277.44
C185-310	Hose Kit, independent wing-lift	225.00	153.00
C000-620	Toolbox Mount & Toolbox	1,402.00	953.36
	Assembly Charge on Pan Units	Net	400.00



*** Above prices subject to a 7% steel tariff surcharge**

MASTER PRICE SHEET



Schulte Industries Ltd.

100 John Schulte Dr., Englefeld, SK. Canada, S0K 1N0

Tel: 306-287-3715 Fax: 306-287-3355 Toll Free: 1-800-404-6044

Web: www.Schulte.ca



Sourcewell - Road Right Of Way Maintenance Equipment

MACHINE PRICES AND SPECIFICATIONS

FX-1800C Rotary Cutter (DOT Configuration Options)

CUTTER FEATURES

- 540/1000 RPM Drive
- 7 ga. Spun Formed Stump Jumpers
- Replaceable Skid Shoes
- 7 ga Single Domed Deck cap.)
- Deck Protection Rings
- Over Center Folding Wings
- Transport Width (max with duals on wings) 102"(2.59m)
- 80 Degree CV Drive
- Height Control Cylinder & Hoses
- Wing Lift Cylinders & Hoses
- S000-010 Safety Chain (1/4" gr.70 - 10000lbs)
- Operator's and Parts Manual Holder
- Cutting Width 180" (4.57m)

~ ~ Selection 1 ~ Choose a Basic Unit, Drive Package ~ ~

		Retail Price	Contract Price
C186-100	Schulte FX-1800C, Basic Unit <i>c/w replaceable side bands & hydraulic phasing system</i>	25,467.00	17,317.56
S000-085	Safety Light Kit (Required)	673.00	457.64
	Choose a Drive Package:		
a)	C306-705 Drive Package, CW Center, 540 RPM	7,829.00	5,323.72
b)	C306-715 Drive Package, CW Center, 1000 RPM	7,804.00	5,306.72

~ ~ Selection 2 ~ Choose a Hitch Option ~ ~

C185-180	Trailing Hitch, CV Style	1,060.00	720.80
	Choose a CV Shaft:		
a)	340-870WG CV Shaft, 540 RPM	2,028.00	1,379.04
b)	340-648WG CV Shaft, 1000 RPM	1,624.00	1,104.32
c)	340-658WG CV Shaft 1000 RPM 1 3/4" shaft	2,210.00	1,502.80
C185-196	Equal Angle Hitch Kit w/ 540 RPM Shaft	3,378.00	2,297.04

~ ~ Selection 3 ~ Choose a Clevis ~ ~

C000-506WG	Open Clevis (Minimum Requirements)	495.00	336.60
C000-500WG	Precision hitch	927.00	630.36
C000-513WG	Solid Tongue	585.00	397.80
C000-510WG	Pro Level Hitch	776.00	527.68

~ ~ Selection 4 ~ Choose One Center Axle Mount Style ~ ~

C185-820	Walking (Axles Included)	2,971.00	2,020.28
C185-830	Non Walking (2 Tire Kit, Axles Included)	1,059.00	720.12
C185-825	Non Walking (4 Tire Kit, Axles Included)	1,671.00	1,136.28
C186-880	Wheel Mounts For Large Tires (Includes hubs/spindles & Tires)	4,150.00	2,822.00

If choosing the C186-880, you MUST choose the C185-830 wing axle mount and two tires

*** Above prices subject to a 7% steel tariff surcharge**

MASTER PRICE SHEET



Schulte Industries Ltd.

100 John Schulte Dr., Englefeld, SK. Canada, S0K 1N0

Tel: 306-287-3715 Fax: 306-287-3355 Toll Free: 1-800-404-6044

Web: www.Schulte.ca



Sourcewell - Road Right Of Way Maintenance Equipment

MACHINE PRICES AND SPECIFICATIONS

FX-1800C Rotary Cutter (DOT Configuration Options)

~ ~ Selection 5 ~ Choose One Wing Axle Mount Style ~ ~

C185-820	Walking <i>(Axles Included)</i>	2,971.00	2,020.28
C185-830	Non Walking <i>(2 Tire Kit, Axles Included)</i>	1,059.00	720.12
C185-825	Non Walking <i>(4 Tire Kit, Axles Included)</i>	1,671.00	1,136.28

~ ~ Selection 6 ~ Choose a Safety Guard ~ ~

C180-520	Chain Guards Single Front and Rear	1,458.00	991.44
C180-500	Chain Guards Double Front and Rear	1,671.00	1,136.28

~ ~ Selection 7 ~ Choose a Pan Kit ~ ~

C316-450	Pan Kit (required)	2,239.00	1,522.52
----------	--------------------	----------	----------

~ ~ Selection 8 ~ Choose a Blade Configuration ~ ~

C316-451	CW Schulte Super Suction Updraft 4" Blades	Or	669.00	454.92
C316-459	CW Schulte Super Suction Updraft 5" Blades		878.00	597.04

~ ~ Selection 9 ~ Choose a Tire Option ~ ~

Please state the quantity of tires that you would like to order as the numbers listed below are single tires and not tire kits.

		Retail Price/Tire	Contract Price/Tire
210-003WG	Solid Laminated Tires, 6 x 9 x 20	316.00	214.88
210-175WG	Forklift Tire 6.5 x 10 - 12 ply on 2 pce 5 bolt rim	445.00	302.60
210-175FWG	Foam Filled Forklift Tire 6.5 x 10 - 12 ply on 2 pce 5 bolt rim	776.00	527.68
210-540WG	Tire 24x8-14 20 Ply Rated Severe Duty	583.00	396.44
210-540FWG	Tire 24x8-14 20 Ply Rated Severe Duty Foam Filled	877.00	596.36
210-192WG	Solid Laminated Tire, 6 x 9 x 26	511.00	347.48

~ ~ Selection 10 ~ Choose a Destination Code ~ ~

C185-NA	North American & Australian Decal Kit	75.00	51.00
---------	---------------------------------------	-------	-------

* Above prices subject to a 7% steel tariff surcharge

MASTER PRICE SHEET



Schulte Industries Ltd.

100 John Schulte Dr., Englefeld, SK. Canada, S0K 1N0

Tel: 306-287-3715 Fax: 306-287-3355 Toll Free: 1-800-404-6044

Web: www.Schulte.ca



Sourcewell - Road Right Of Way Maintenance Equipment

MACHINE PRICES AND SPECIFICATIONS

FX-1800C Rotary Cutter (DOT Configuration Options)

~ ~ Selection 11 ~ Choose Extra Options ~ ~

C185-304	Strut Mount for Flex Arm,(Factory Installed)	876.00	595.68
C185-305	Strut Mount for Flex Arm, (parts only)	374.00	254.32
C185-325	Tension Link Leveling Rod , Factory Installed	326.00	221.68
C185-330	Tension Link Leveling Rod , Weld on Parts only	408.00	277.44
C185-310	Hose Kit, independent wing-lift	225.00	153.00
C000-620	Toolbox Mount & Toolbox	1,402.00	953.36
	Assembly Charge on Pan Units	Net	400.00



* Above prices subject to a 7% steel tariff surcharge

MASTER PRICE SHEET



Schulte Industries Ltd.

100 John Schulte Dr., Englefeld, SK. Canada, S0K 1N0

Tel: 306-287-3715 Fax: 306-287-3355 Toll Free: 1-800-404-6044

Web: www.Schulte.ca



Sourcewell - Road Right Of Way Maintenance Equipment

MACHINE PRICES AND SPECIFICATIONS

FX-1200 Rotary Cutter (Pan Unit)

CUTTER FEATURES

- 540/1000 RPM Drive
- 7 ga. Spun Formed Stump Jumpers
- Replaceable Skid Shoes
- 7 ga Single Domed Deck
- Deck Protection Rings
- Over Center Folding Wings
- Transport Width (max with duals on wings) 97.5" (2.47m)
- 80 Degree CV Drive
- Height Control Cylinder & Hoses
- Wing Lift Cylinders & Hoses
- S000-010 Safety Chain (1/4" gr.70 - 10000lbs cap.)
- Operator's and Parts Manual Holder
- Cutting Width 126" (3.20m)

~ ~ Selection 1 ~ Choose a Basic Unit, Drive Package ~ ~

		Retail Price	Contract Price
C195-100	FX1200, Basic Unit	22,695.00	15,432.60
S000-085	Safety Light Kit (Required)	673.00	457.64
<u>DRIVE PACKAGE (choose one)</u>			
C307-700	CW Rotation on Center, 540 RPM	5,719.00	3,888.92
C307-710	CW Rotation on Center, 1000 RPM	5,591.00	3,801.88

~ ~ Selection 2 ~ Choose a Hitch Option ~ ~

C185-180	Trailing Hitch, CV Style	1,060.00	720.80
Choose a CV Shaft:			
a) 340-870WG	CV Shaft, 540 RPM	2,028.00	1,379.04
b) 340-648WG	CV Shaft, 1000 RPM	1,624.00	1,104.32
C185-196	Equal Angle Hitch Kit w/ 540 RPM Shaft	3,378.00	2,297.04

~ ~ Selection 3 ~ Choose a Clevis ~ ~

C000-506WG	Open Clevis (Minimum Requirements)	495.00	336.60
C000-500WG	Precision hitch	927.00	630.36
C000-513WG	Solid Tongue	585.00	397.80
C000-510WG	Pro Level Hitch	776.00	527.68

~ ~ Selection 4 ~ Choose One Center Axle Mount Style ~ ~

C185-820	Walking (Axles Included)	2,971.00	2,020.28
C185-830	Non Walking (2 Tire Kit, Axles Included)	1,059.00	720.12
C185-825	Non Walking (4 Tire Kit, Axles Included)	1,671.00	1,136.28

* Above prices subject to a 7% steel tariff surcharge

MASTER PRICE SHEET



Schulte Industries Ltd.

100 John Schulte Dr., Englefeld, SK. Canada, S0K 1N0
 Tel: 306-287-3715 Fax: 306-287-3355 Toll Free: 1-800-404-6044
 Web: www.Schulte.ca



Sourcewell - Road Right Of Way Maintenance Equipment

MACHINE PRICES AND SPECIFICATIONS

FX-1200 Rotary Cutter (Pan Unit)

~ ~ Selection 5 ~ Choose a Wing Axle Mount Style ~ ~

C185-835	Walking Axle (Axle Included)	1,402.00	953.36
C185-840	Non Walking (1 Tire Kit, Axle Included)	524.00	356.32
C185-845	Non Walking (2 Tire Kit, Axles Included)	730.00	496.40

~ ~ Selection 6 ~ Choose a Safety Guard ~ ~

C190-520	Chain Guards Single Front & Rear	1,006.00	684.08
C190-500	Chain Guards Double Front & Rear	1,156.00	786.08

~ ~ Selection 7 ~ Choose The Pan Kit ~ ~

C317-450	Pan Kit (required)	1,476.00	1,003.68
----------	--------------------	----------	----------

~ ~ Selection 8 ~ Choose a Blade Configuration ~ ~

C317-451	Updraft Blades, CW Center	442.00	300.56
----------	---------------------------	--------	--------

~ ~ Selection 9 ~ Choose a Tire Option ~ ~

Please state the quantity of tires that you would like to order as the numbers listed below are single tires and not tire kits.

		Retail Price/Tire	Contract Price/Tire
210-003WG	Solid Laminated Tires, 6 x 9 x 20	316.00	214.88
210-175WG	Tire Assy, Forklift, 6.5 x 10 - 12 ply on 2 pce 5 bolt rim	445.00	302.60
210-175FWG	Foam Filled Forklift Tire 6.5 x 10 - 12 ply on 2 pce 5 bolt rim	776.00	527.68
210-540WG	Tire 24x8-14 20 Ply Rated Severe Duty	583.00	396.44
210-540FWG	Tire 24x8-14 20 Ply Rated Severe Duty Foam Filled	877.00	596.36
210-192WG	Solid Laminated Tire, 6 x 9 x 26	511.00	347.48

~ ~ Selection 10 ~ Choose a Destination Code ~ ~

C195-NA	North American & Australian Decal Kit	63.00	42.84
---------	---------------------------------------	-------	-------

* Above prices subject to a 7% steel tariff surcharge

MASTER PRICE SHEET



Schulte Industries Ltd.

100 John Schulte Dr., Englefeld, SK. Canada, S0K 1N0

Tel: 306-287-3715 Fax: 306-287-3355 Toll Free: 1-800-404-6044

Web: www.Schulte.ca



Sourcewell - Road Right Of Way Maintenance Equipment

MACHINE PRICES AND SPECIFICATIONS

FX-1200 Rotary Cutter (Pan Unit)

~~ Selection 11 ~ Choose a Extra Options ~~

C185-304	Strut Mount for Flex Arm,(Factory Installed)	876.00	595.68
C185-305	Strut Mount for Flex Arm, (parts only)	374.00	254.32
C185-325	Tension Link Leveling Rod , Factory Installed	326.00	221.68
C185-330	Tension Link Leveling Rod , Weld on Parts only	408.00	277.44
C000-620	Toolbox Mount & Toolbox	1,402.00	953.36
	Assembly Charge	Net	300.00



* Above prices subject to a 7% steel tariff surcharge

MASTER PRICE SHEET



Schulte Industries Ltd.

100 John Schulte Dr., Englefeld, SK. Canada, S0K 1N0
 Tel: 306-287-3715 Fax: 306-287-3355 Toll Free: 1-800-404-6044
 Web: www.Schulte.ca



Sourcewell - Road Right Of Way Maintenance Equipment

MACHINE PRICES AND SPECIFICATIONS

FX-1200C Rotary Cutter (DOT Configuration Options)

CUTTER FEATURES

- 540/1000 RPM Drive
- 7 ga. Spun Formed Stump Jumpers
- Replaceable Skid Shoes
- 7 ga Single Domed Deck
- Deck Protection Rings
- Over Center Folding Wings
- Transport Width (max with duals on wings) 97.5" (2.47m)
- 80 Degree CV Drive
- Height Control Cylinder & Hoses
- Wing Lift Cylinders & Hoses
- S000-010 Safety Chain (1/4" gr.70 - 10000lbs cap.)
- Operator's and Parts Manual Holder
- Cutting Width 126" (3.20m)

~ ~ Selection 1 ~ Choose a Basic Unit, Drive Package ~ ~

		Retail Price	Contract Price
C187-100	FX1200C, Basic Unit <i>c/w replaceable side bands & hydraulic phasing system</i>	24,555.00	16,697.40
S000-085	Safety Light Kit (Required) <u>DRIVE PACKAGE</u> (choose one)	673.00	457.64
C307-700	CW Rotation on Center, 540 RPM	5,719.00	3,888.92
C307-710	CW Rotation on Center, 1000 RPM	5,591.00	3,801.88

~ ~ Selection 2 ~ Choose a Hitch Option ~ ~

C185-180	Trailing Hitch, CV Style Choose a CV Shaft:	1,060.00	720.80
a)	340-870WG CV Shaft, 540 RPM	2,028.00	1,379.04
b)	340-648WG CV Shaft, 1000 RPM	1,624.00	1,104.32
C185-196	Equal Angle Hitch Kit w/ 540 RPM Shaft	3,378.00	2,297.04

~ ~ Selection 3 ~ Choose a Clevis ~ ~

C000-506WG	Open Clevis (Minimum Requirements)	495.00	336.60
C000-500WG	Precision hitch	927.00	630.36
C000-513WG	Solid Tongue	585.00	397.80
C000-510WG	Pro Level Hitch	776.00	527.68

~ ~ Selection 4 ~ Choose One Center Axle Mount Style ~ ~

C185-820	Walking (<i>Axles Included</i>)	2,971.00	2,020.28
C185-830	Non Walking (<i>2 Tire Kit, Axles Included</i>)	1,059.00	720.12
C185-825	Non Walking (<i>4 Tire Kit, Axles Included</i>)	1,671.00	1,136.28
C186-880	Wheel Mounts For Large Tires (<i>Includes hubs/spindles & Tires</i>)	4,150.00	2,822.00

If choosing the C186-880, you MUST choose the C185-840 wing axle mount & one tire

*** Above prices subject to a 7% steel tariff surcharge**

MASTER PRICE SHEET



Schulte Industries Ltd.

100 John Schulte Dr., Englefeld, SK. Canada, S0K 1N0
 Tel: 306-287-3715 Fax: 306-287-3355 Toll Free: 1-800-404-6044
 Web: www.Schulte.ca



Sourcewell - Road Right Of Way Maintenance Equipment

MACHINE PRICES AND SPECIFICATIONS

FX-1200C Rotary Cutter (DOT Configuration Options)

~ ~ Selection 5 ~ Choose a Wing Axle Mount Style ~ ~

C185-835	Walking Axle (Axle Included)	1,402.00	953.36
C185-840	Non Walking (1 Tire Kit, Axle Included)	524.00	356.32
C185-845	Non Walking (2 Tire Kit, Axles Included)	730.00	496.40

~ ~ Selection 6 ~ Choose a Safety Guard ~ ~

C190-520	Chain Guards Single Front & Rear	1,006.00	684.08
C190-500	Chain Guards Double Front & Rear	1,156.00	786.08

~ ~ Selection 7 ~ Choose The Pan Kit ~ ~

C317-450	Pan Kit (required)	1,476.00	1,003.68
----------	--------------------	----------	----------

~ ~ Selection 8 ~ Choose a Blade Configuration ~ ~

C317-451	Updraft Blades, CW Center	442.00	300.56
----------	---------------------------	--------	--------

~ ~ Selection 9 ~ Choose a Tire Option ~ ~

Please state the quantity of tires that you would like to order as the numbers listed below are single tires and not tire kits.

		Retail Price/Tire	Contract Price/Tire
210-003WG	Solid Laminated Tires, 6 x 9 x 20	316.00	214.88
210-175WG	Tire Assy, Forklift, 6.5 x 10 - 12 ply on 2 pce 5 bolt rim	445.00	302.60
210-175FWG	Foam Filled Forklift Tire 6.5 x 10 - 12 ply on 2 pce 5 bolt rim	776.00	527.68
210-540WG	Tire 24x8-14 20 Ply Rated Severe Duty	583.00	396.44
210-540FWG	Tire 24x8-14 20 Ply Rated Severe Duty Foam Filled	877.00	596.36
210-192WG	Solid Laminated Tire, 6 x 9 x 26	511.00	347.48

~ ~ Selection 10 ~ Choose a Destination Code ~ ~

C195-NA	North American & Australian Decal Kit	63.00	42.84
---------	---------------------------------------	-------	-------

* Above prices subject to a 7% steel tariff surcharge

MASTER PRICE SHEET



Schulte Industries Ltd.

100 John Schulte Dr., Englefeld, SK. Canada, S0K 1N0

Tel: 306-287-3715 Fax: 306-287-3355 Toll Free: 1-800-404-6044

Web: www.Schulte.ca



Sourcewell - Road Right Of Way Maintenance Equipment

MACHINE PRICES AND SPECIFICATIONS

FX-1200C Rotary Cutter (DOT Configuration Options)

~~ Selection 11 ~ Choose a Extra Options ~~

C185-304	Strut Mount for Flex Arm,(Factory Installed)	876.00	595.68
C185-305	Strut Mount for Flex Arm, (parts only)	374.00	254.32
C185-325	Tension Link Leveling Rod , Factory Installed	326.00	221.68
C185-330	Tension Link Leveling Rod , Weld on Parts only	408.00	277.44
C000-620	Toolbox Mount & Toolbox	1,402.00	953.36
Assembly Charge		Net	300.00



* Above prices subject to a 7% steel tariff surcharge

MASTER PRICE SHEET



Schulte Industries Ltd.

100 John Schulte Dr., Englefeld, SK. Canada, S0K 1N0
 Tel: 306-287-3715 Fax: 306-287-3355 Toll Free: 1-800-404-6044
 Web: www.Schulte.ca



Sourcewell - Road Right Of Way Maintenance Equipment

MACHINE PRICES AND SPECIFICATIONS

GX-150 Rotary Cutter

CUTTER FEATURES

- 540/1000 RPM Drive
- High inertia blade carrier
- Replaceable Skid Shoes
- 10 ga Single Domed Deck cap.)
- Deck Protection Rings
- Over Center Folding Wings
- 80 Degree CV Drive
- Height Control Cylinder & Hoses
- Wing Lift Cylinders & Hoses
- S000-010 Safety Chain (1/4" gr.70 - 10000lbs
- Operator's and Parts Manual Holder
- Cutting Width 180" (4.57m)

~~ Selection 1 ~ Choose a Basic Unit, Drive Package ~~

		Retail Price	Contract Price
C170-100	GX-150 Base Unit	20,562.00	13,982.16
S000-085	Safety Light Kit (Required)	673.00	457.64
Choose a Drive Package:			
a)	C170-705 Drive Package, CW Center, 540 RPM	5,684.00	3,865.12
b)	C170-715 Drive Package, CW Center, 1000 RPM	5,676.00	3,859.68

~~ Selection 2 ~ Choose a Hitch Option ~~

C185-180	Trailing Hitch, CV Style	1,060.00	720.80
Choose a CV Shaft:			
a)	340-834WG CV Shaft, 540 RPM	1,315.00	894.20
b)	340-676WG CV Shaft, 1000 RPM	1,115.00	758.20

~~ Selection 3 ~ Choose a Clevis ~~

C000-510WG	Pro Level Hitch (Required)	776.00	527.68
------------	----------------------------	--------	--------

~~ Selection 4 ~ Choose a Safety Guard ~~

C180-520	Chain Guards Single Front and Rear	1,458.00	991.44
C180-500	Chain Guards Double Front and Rear	1,671.00	1,136.28

~~ Selection 5 ~ Choose a Pan Kit ~~

C170-450	Pan Kit (required)	1,945.00	1,322.60
----------	--------------------	----------	----------

* Above prices subject to a 7% steel tariff surcharge

MASTER PRICE SHEET



Schulte Industries Ltd.

100 John Schulte Dr., Englefeld, SK. Canada, S0K 1N0
 Tel: 306-287-3715 Fax: 306-287-3355 Toll Free: 1-800-404-6044
 Web: www.Schulte.ca



Sourcewell - Road Right Of Way Maintenance Equipment

MACHINE PRICES AND SPECIFICATIONS

GX-150 Rotary Cutter

~ ~ Selection 6 ~ Choose a Blade Configuration ~ ~

C316-451	CW Schulte Super Suction Updraft 4" Blades	669.00	454.92
----------	--	--------	--------

~ ~ Selection 7 ~ Choose an Axle Kit ~ ~

C180-484	Axle Kit for 4 Tires	900.00	612.00
C180-486	Axle Kit for 6 Tires	1,433.00	974.44
C180-488	Axle Kit for 8 Tires	2,040.00	1,387.20

~ ~ Selection 8 ~ Choose a Tire Option ~ ~

Please state the quantity of tires that you would like to order as the number listed below is single tires and not tire kits.

210-175WG	Forklift Tire 6.5 x 10, 12 ply rated on 2 pce 5 bolt rim	445.00	302.60
210-192WG	Solid Laminated Tire, 6 x 9 x 26	511.00	347.48
210-003WG	Solid Laminated Tires, 6 x 9 x 20	316.00	214.88

~ ~ Selection 9 ~ Choose a Destination Code ~ ~

C170-NA	North American & Australian Decal Kit	71.00	48.28
---------	---------------------------------------	-------	-------

~ ~ Selection 10 ~ Choose Extra Options ~ ~

C185-325	Tension Link Leveling Rod , Factory Installed	326.00	221.68
C000-620	Toolbox Mount & Toolbox	1,402.00	953.36

Assembly Charge on Pan Units	Net	300.00
------------------------------	-----	--------

PREDELIVERY SERVICE IS REQUIRED BY DEALER OR END USER



* Above prices subject to a 7% steel tariff surcharge

MASTER PRICE SHEET



Schulte Industries Ltd.

100 John Schulte Dr., Englefeld, SK. Canada, S0K 1N0

Tel: 306-287-3715 Fax: 306-287-3355 Toll Free: 1-800-404-6044

Web: www.Schulte.ca



Sourcewell - Road Right Of Way Maintenance Equipment

MACHINE PRICES AND SPECIFICATIONS

GX-130 Rotary Cutter

CUTTER FEATURES

- 540 RPM Drive
- High inertia blade carrier
- Replaceable Skid Shoes
- 10 ga Single Domed Deck cap.)
- Deck Protection Rings
- Over Center Folding Wings
- 80 Degree CV Drive
- Height Control Cylinder & Hoses
- Wing Lift Cylinders & Hoses
- S000-010 Safety Chain (1/4" gr.70 - 10000lbs)
- Operator's and Parts Manual Holder
- Cutting Width 13 ft (3.96m)

~ ~ Selection 1 ~ Choose a Basic Unit, Drive Package ~ ~

		Retail Price	Contract Price
C130-100	GX-130 Base Unit (Required)	19,547.00	13,291.96
S000-085	Safety Light Kit (Required)	673.00	457.64
Choose a Drive Package:			
a)	C130-705 Drive Package, CW Center, 540 RPM (Required)	4,393.00	2,987.24

~ ~ Selection 2 ~ Choose a Hitch Option & Power Shaft ~ ~

C185-180	Trailing Hitch, CV Style (Required)	1,060.00	720.80
Choose a CV Shaft:			
a)	340-834WG CV Shaft, 540 RPM (Required)	1,315.00	894.20

~ ~ Selection 3 ~ Choose a Clevis ~ ~

C000-510WG	Pro Level Hitch	776.00	527.68
C000-513WG	Solid tongue	585.00	397.80

~ ~ Selection 4 ~ Choose a Safety Guard ~ ~

C130-520	Chain Guards Single Front and Rear	1,316.00	894.88
C130-500	Chain Guards Double Front and Rear	1,355.00	921.40

~ ~ Selection 5 ~ Choose a Pan Kit ~ ~

C130-450	Flat Pan Kit (Required)	1,539.00	1,046.52
----------	-------------------------	----------	----------

* Above prices subject to a 7% steel tariff surcharge

MASTER PRICE SHEET



Schulte Industries Ltd.

100 John Schulte Dr., Englefeld, SK. Canada, S0K 1N0
 Tel: 306-287-3715 Fax: 306-287-3355 Toll Free: 1-800-404-6044
 Web: www.Schulte.ca



Sourcewell - Road Right Of Way Maintenance Equipment

MACHINE PRICES AND SPECIFICATIONS

GX-130 Rotary Cutter

~ ~ Selection 6 ~ Choose a Blade Configuration ~ ~

C130-451	CW Schulte Super Suction Updraft 4" Blades (Required)	701.00	476.68
----------	---	--------	--------

~ ~ Selection 7 ~ Choose an Axle Kit ~ ~

C180-484	Axle Kit for 4 Tires (Two tires on center, one tire on each wing)	900.00	612.00
C180-486	Axle Kit for 6 Tires (Duals on center, one tire on each wing)	1,433.00	974.44

~ ~ Selection 8 ~ Choose a Tire Option ~ ~

Please state the quantity of tires that you would like to order as the number listed below is single tires and not tire kits.

210-175WG	Forklift Tire 6.5 x 10, 12 ply rated on 2 pce 5 bolt rim	445.00	302.60
210-003WG	Solid Laminated Tires, 6 x 9 x 20	316.00	214.88

~ ~ Selection 9 ~ Choose a Destination Code ~ ~

C130-NA	North American & Australian Decal Kit (Required For North America)	71.00	48.28
---------	--	-------	-------

~ ~ Selection 10 ~ Choose Extra Options ~ ~

C130-250	Wheel Covers <i>(For use in orchards to prevent the tires from grabbing fruit)</i>	480.00	326.40
	Assembly Charge on Pan Units	Net 300.00	

PREDELIVERY SERVICE IS REQUIRED BY DEALER OR END USER

IMPORTANT:

- 1) Safety Chain Kit must be used at all times when moving equipment on any type of road.
- 2) OSHA, ASAE, SAE, and ANSI standards REQUIRE the use of Chain Guards, Deflectors, or Solid Skirts/Bands at all times. Schulte recommends mower be equipped with deflectors or double chain guards for all mowing purposes. Single chain guards may be used for agricultural purposes only and are specifically not recommended for highway, right-of-way, parks or greenbelt mowing. Before ordering a mower, read the Thrown Object Shield Message in the Rotary Cutter Spec section in sales price book.



* Above prices subject to a 7% steel tariff surcharge

MASTER PRICE SHEET



Schulte Industries Ltd.

100 John Schulte Dr., Englefeld, SK. Canada, S0K 1N0

Tel: 306-287-3715 Fax: 306-287-3355 Toll Free: 1-800-404-6044

Web: www.Schulte.ca



Sourcewell - Road Right Of Way Maintenance Equipment

MACHINE PRICES AND SPECIFICATIONS

FLX-1510 Flex Arm

FLEX ARM FEATURES

- New heavy duty 111 x 15, 2 ply tires, load cap. Of 4000 lbs
- Cut directly in-line with the tractor or at any offset distance upto 122"
- 6000 lb capacity, 6 bolt hubs
- Spring steel bushings, induction harden pins at major pivot points
- Minimum of 3 hydraulic circuits required to operate with 15' or 10' mower
- Heavy duty 3-1/2 x 36 welded hydraulic cylinder
- Opt. 6 port selector valve kit for independent wing action or limited tractor hydraulic outlets
- Continuous power rating 200hp @ 1000rpm
- Bolt in replacement axles
- Safety light kit
- Operator's manual in holder

~ ~ Selection 1 ~ Choose a Basic Unit ~ ~

		Retail Price	Contract Price
1)	A105-000 FLX 1510 Flexarm	37,224.00	25,312.32

~ ~ Selection 2 ~ Choose a Flex Arm Strut ~ ~

1)	A105-127WG Strut for attaching a XH1000/XH1500	344.00	233.92
2)	A105-227WG Strut for attaching a FX1200/FX1800	344.00	233.92

~ ~ Selection 3 ~ Choose Tires ~ ~

1)	210-514WG Tire, 12 x 16.5 Skid Steer Tire	1,303.00	886.04
2)	210-330WG Tire, 33 x 12, Non-Directional 231 Boss Solid No Puncture Tire	2,100.00	1,428.00

~ ~ Selection 4 ~ Extra Options ~ ~

1)	A105-350 Six Port Selector Valve Kit for Independent Wing <i>Must pick if the tractor has only 3 valve banks, and the Flex Arm is being hooked to a 15' cutter</i>	1,853.00	1,260.04
2)	A105-360 Hose kit for independent wing lift- Tractors with 4 valve banks <i>Must pick if the tractor has 4 valve banks, and the Flex Arm is being hooked to a 15' cutter</i>	326.00	221.68
3)	C306-835 Independent Double Acting Cylinder Kit <i>XH1500 S4 Only - Hose kit for XH1500 to make independent wing lift, only order if the mower does not have it and the customer wants to have down pressure on the wings</i>		* To order this kit, please contact the Schulte Parts Department
4)	C307-835 Independent Double Acting Cylinder Kit <i>XH1000 S4 Only - Hose kit for XH1000 to make independent wing lift, only order if the mower does not have it and the customer wants to have down pressure on the wing</i>		* To order this kit, please contact the Schulte Parts Department
5)	C000-300WG Precision Hitch <i>Precision hitch only, customer will receive precision hitch as well as the adjustable clevis (Standard)</i>	690.00	469.20

Assembly

Net

300.00

IMPORTANT: OSHA, ASAE, SAE, and ANSI standards REQUIRE the use of Chain Guards, Deflectors, or Solid Skirts/Bands at all times. Schulte recommends mower be equipped with deflectors or double chain guards for all mowing purposes. Single chain guards may be used for agricultural purposes only and are specifically not recommended for highway, right-of-way, parks or greenbelt mowing. Before ordering a mower, read the Thrown ObjectShield Information Message in the Rotary Cutter Spec Section in the sales price book.



*** Above prices subject to a 7% steel tariff surcharge**

MASTER PRICE SHEET



Schulte Industries Ltd.

100 John Schulte Dr., Englefeld, SK. Canada, S0K 1N0

Tel: 306-287-3715 Fax: 306-287-3355 Toll Free: 1-800-404-6044

Web: www.Schulte.ca



Sourcewell - Road Right Of Way Maintenance Equipment

MACHINE PRICES AND SPECIFICATIONS

FX-209 Rotary Cutter

CUTTER FEATURES - ALL HITCH TYPES

- Push or pull capability
- 9ft / 3m overall width
- Cutting Height: 2" - 13" (5.1 cm - 33 cm)
- Cutting Width: 109.25" (2.78 m)
- Cutting Capacity: 3" (7.6 cm)
- Minimum Tractor HP 50 HP (37.3 kW)
- Cat. II & III 3 Point / Semi Mount Swing (13" left or right swing), Trailing Pull
- Gearbox Rating 210 hp
- Two rotor base unit common to all configuration
- Pans with Schulte Super Suction Blades
- Double Chain Front & Rear
- 7 Ga Deck
- 540 and 1000 RPM drive options

~ ~ Selection 1 ~ Choose a FX-209 Base Unit ~ ~

		<i>Retail Price</i>	<i>Contract Price</i>
C209-100	FX-209 Base Unit	12,357.00	8,402.76

~ ~ Selection 2 ~ Choose a FX-209 Non Trailing Configuration

Choose One Mount			
C209-300	3PT Mount Option	2,889.00	1,964.52
Choose One Drive Package			
C209-710	540 RPM Drive Package <i>NON-TRAILING</i> or	2,234.00	1,519.12
C209-715	1000 RPM Drive Package <i>NON-TRAILING</i>	2,288.00	1,555.84
Choose One Wheel Assembly			
C209-400	FX-209 Wheel Assembly Non-Trailing Standard or	2,643.00	1,797.24
C209-450	FX-209 Wheel Assembly Non-Trailing Hydraulic	3,679.00	2,501.72

~ ~ Selection 3 ~ Choose a FX-209 Trailing Hitch

C209-340	FX-209 Trailing Hitch	5,472.00	3,720.96
CS01-106WG	Open Clevis (<i>Minimum Requirement</i>) or	238.00	161.84
C000-360WG	Adjustable Clevis or	356.00	242.08
C000-300WG	Precision Hitch or	690.00	469.20
C502-113WG	Solid Tongue	303.00	206.04
Choose One Drive Package			
C209-700	540 RPM Drive Package Trailing or	3,820.00	2,597.60
C209-705	1000 RPM Drive Package Trailing	3,960.00	2,692.80

* Above prices subject to a 7% steel tariff surcharge

MASTER PRICE SHEET



Schulte Industries Ltd.

100 John Schulte Dr., Englefeld, SK. Canada, S0K 1N0

Tel: 306-287-3715 Fax: 306-287-3355 Toll Free: 1-800-404-6044

Web: www.Schulte.ca



Sourcewell - Road Right Of Way Maintenance Equipment

MACHINE PRICES AND SPECIFICATIONS

FX-209 Rotary Cutter

~ ~ Selection 4 ~ Choose Options ~ ~

C209-250	Blade Pan Option (Must Pick)	1,949.00	1,325.32
C209-520	Half Length Belting Option (Front and Back)	328.00	223.04

~ ~ Selection 5 ~ Choose Tire Options ~ ~

(CHOOSE 2 TIRES PER UNIT)

		Retail Price/Tire	Contract Price/Tire
210-003WG	Solid Laminated Tires, 6 x 9 x 20	316.00	214.88
210-540WG	Tire 24x8-14 20 Ply Rated Severe Duty	583.00	396.44
210-540FWG	Tire 24x8-14 20 Ply Rated Severe Duty Foam Filled	877.00	596.36
210-175WG	Forklift New, 6.5 x 10 - 12 ply rated on 2 pcs 5 bolt rin	445.00	302.60
210-175FWG	Foam Filled Forklift Tire 6.5 x 10 - 12 ply on 2 pce 5 bolt rim	776.00	527.68

Assembly	Net	300.00
-----------------	------------	---------------



*** Above prices subject to a 7% steel tariff surcharge**

MASTER PRICE SHEET



Schulte Industries Ltd.

100 John Schulte Dr., Englefeld, SK. Canada, S0K 1N0
 Tel: 306-287-3715 Fax: 306-287-3355 Toll Free: 1-800-404-6044
 Web: www.Schulte.ca



Sourcewell - Road Right Of Way Maintenance Equipment

MACHINE PRICES AND SPECIFICATIONS

FX-107 Rotary Cutter

CUTTER FEATURES - ALL HITCH TYPES

- Rigid single domed 7 gauge deck construction
- Overall width: 95.5" (2.43 m)
- Cutting Height: 3" - 12 7/8" (7.6 cm - 33 cm)
- Cutting Width: 84" (2.13 m)
- Cutting Capacity: 3" (7.6 cm)
- Minimum Tractor HP 50 HP (37.3 kW)
- Cat. II & III 3 Point / Trailing Pull
- Pull type and 3 point hitch options
- Base unit common to all configurations
- 540 RPM drive
- Double Chain Front & Rear
- 7 Ga Deck
- Pull type unit has the ability to accept open clevis, solid tongue & adjustable clevis

~ ~ Selection 1 ~ Choose a Base Unit ~ ~

		Retail Price	Contract Price
C107-100	FX-107 Base Unit	8,411.00	5,719.48

~ ~ Selection 2 ~ Choose a 3 Point Option Configuration ~ ~

C107-300	3PT Mount Option <i>(if this chosen skip Trailing Hitch Option)</i>	5,116.00	3,478.88
----------	---	----------	----------

~ ~ Selection 3 ~ Choose a Trailing Hitch Configuration ~ ~

C107-195	Trailing Hitch	7,340.00	4,991.20
CS01-106WG	Open Clevis <i>(Minimum Requirement) or</i>	238.00	161.84
C000-360WG	Adjustable Clevis <i>or</i>	356.00	242.08
C000-300WG	Precision Hitch <i>or</i>	690.00	469.20
C502-113WG	Solid Tongue	303.00	206.04

~ ~ Selection 4 ~ Blade Pan Option ~ ~

C107-250	Blade Pan Option (Must Pick)	1,225.00	833.00
----------	------------------------------	----------	--------

~ ~ Selection 5 ~ Choose Tire Options ~ ~

		Retail Price/Tire	Contract Price/Tire
(CHOOSE 2 TIRES PER UNIT)			
210-003WG	Solid Laminated Tires, 6 x 9 x 20	316.00	214.88
210-540WG	Tire 24x8-14 20 Ply Rated Severe Duty	583.00	396.44
210-540FWG	Tire 24x8-14 20 Ply Rated Severe Duty Foam Filled	877.00	596.36
210-175WG	Forklift New, 6.5 x 10 - 12 ply rated on 2 pcs 5 bolt rim	445.00	302.60
210-175FWG	Foam Filled Forklift Tire 6.5 x 10 - 12 ply on 2 pce 5 bolt rim	776.00	527.68
	Assembly	Net	250.00



* Above prices subject to a 7% steel tariff surcharge

MASTER PRICE SHEET



Schulte Industries Ltd.

100 John Schulte Dr., Englefeld, SK. Canada, S0K 1N0

Tel: 306-287-3715 Fax: 306-287-3355 Toll Free: 1-800-404-6044

Web: www.Schulte.ca

Sourcewell - Road Right Of Way Maintenance Equipment

MACHINE PRICES AND SPECIFICATIONS



Eliminator

ELIMINATOR FEATURES

- Chemical application spray kit for XH1500
- Adjustable Flow rate (can be matched to the product you are using)
- Monitor for speed, pressure and application rates
- 50 US Gallon (189 Litres) Capacity Tank
- Great for brush and weed control
- Reduce drift while mowing-
Spraying is done unnder the deck

~ ~ Selection 1 ~ Choose a Basic Unit ~ ~

	<i>Retail Price</i>	<i>Contract Price</i>
1) C350-675 Eliminator Spray Kit	14,411.00	9,799.48
Factory Installation on XH1500	Net	675.00
Crated For Shipping	Net	200.00



*** Above prices subject to a 7% steel tariff surcharge**



United States Price List Index

Schulte Industries Ltd.

100 John Schulte Dr., Englefeld, SK. Canda, S0K 1N0

Tel: 306-287-3715 Fax: 306-287-3355 Toll Free: 1-800-404-6044

Web: www.Schulte.ca



Sourcewell - Road Right Of Way Maintenance Equipment



Click on this symbol to
return to this index page

Snow Blowers

SDX-144 Snow Blower

RDX-117 Snow Blower

SDX-117 Snow Blower

SDX-102 Snow Blower

FM-350 Front Mount 3pt Hitch Frame

FM-115 Front Mount 3pt Hitch Frame

SBX-87 Skid Steer Snow Blower

SBX-87 3pt Snow Blower

Ground Maintenance

SRW-1400/H - 14 ft Rock Windrower

SRW-1000 - 10 ft Rock Windrower

SRW-800 - 8 ft Rock Windrower

SMR-800 - Skid-Steer 8 ft Landscape Rake/Sweeper

SMR-600 - Skid-Steer 6 ft Landscape Rake/Sweeper

RS320 Jumbo - RS320 Jumbo Rock Picker

2500 Giant - 2500 Giant Rock Picker

3500 Giant - 3500 Giant Rock Picker

5000 Titan II - 5000 Titan II Rock Picker

SPARTAN RWP-1935 - Rock Picker / Windrower Combo

MASTER PRICE SHEET



Schulte Industries Ltd.

100 John Schulte Dr., Englefeld, SK. Canada, S0K 1N0

Tel: 306-287-3715 Fax: 306-287-3355 Toll Free: 1-800-404-6044

Web: www.Schulte.ca



Sourcewell - Road Right Of Way Maintenance Equipment

MACHINE PRICES AND SPECIFICATIONS

SDX-144 SNOW BLOWER

SDX-144 Snow Blower Specs:

Cutting Width: 144"	Adjustable, replaceable skid shoes
Tractor HP: 180 - 350 HP	Replaceable & reversible Cutting Blade
Cutting Height: 45.5"	Gear Driven Rotator
Lower Auger Diameter: 23"	High molecular plastic chute rotating surface
Upper Auger Diameter: 14"	Double chute deflector on HD and Truck loading chutes
Fan Diameter: 38"	Serrated Tooth Top & Bottom Augers
Fan Type: 5 Paddle	Capacity - Dry Snow / Wet Snow
Drive: 1000 RPM	762 tons per hr / 2394 per hr

~ ~ Selection 1 ~ Choose a Basic Unit ~ ~

		<i>Retail Price</i>	<i>Contract Price</i>
B144-100	SDX-144 (144" Snow Blower)	26,130.00	17,768.40

~ ~ Selection 2 ~ Choose a Gear Box ~ ~

330-655WG	Standard Gearbox (<i>tractors with cw pto rotation</i>)	5,524.00	3,756.32
330-655R	Non-standard Gearbox (<i>tractors with ccw pto rotation</i>)	5,740.00	3,903.20

~ ~ Selection 3 ~ Choose a Power Shaft ~ ~

340-946WG	1-3/8 Z21 (size 9) for SDX-144	1,445.00	982.60
340-947WG	1-3/4 Z20 (size 9) for SDX-144	1,445.00	982.60

~ ~ Selection 4 ~ Category 4 Hitch ~ ~

B144-440	Category 4 Hitch (<i>Optional</i>)	295.00	200.60
----------	--------------------------------------	--------	--------

MASTER PRICE SHEET



Schulte Industries Ltd.

100 John Schulte Dr., Englefeld, SK. Canada, S0K 1N0

Tel: 306-287-3715 Fax: 306-287-3355 Toll Free: 1-800-404-6044

Web: www.Schulte.ca



Sourcewell - Road Right Of Way Maintenance Equipment

MACHINE PRICES AND SPECIFICATIONS

SDX-144 SNOW BLOWER

~ ~ Selection 5 ~ Choose a Chute kit ~ ~

B110-270	Heavy Duty Chute Kit with Dbl Chute Deflector	2,130.00	1,448.40
B840-250	Cylinder Kit for B110-270 <i>(Required)</i>	626.00	425.68
B110-280	Truck Loading Chute Kit with Dbl Chute Deflector	2,844.00	1,933.92
B110-260	Cylinder Kit for B110-280 <i>(Required)</i>	558.00	379.44
<u>NOTE:</u> Cylinder kits are complete with 2" x 6" cylinder & hoses			
B117-220	Folding Truck Loading Chute	4,803.00	3,266.04
<u>NOTE:</u> Hoses & Two Cylinders Included in B117-220			

	Assembly	Net	275.00
--	----------	-----	---------------



MASTER PRICE SHEET



Schulte Industries Ltd.

100 John Schulte Dr., Englefeld, SK. Canada, S0K 1N0

Tel: 306-287-3715 Fax: 306-287-3355 Toll Free: 1-800-404-6044

Web: www.Schulte.ca



Sourcewell - Road Right Of Way Maintenance Equipment

MACHINE PRICES AND SPECIFICATIONS

RDX-117 SNOW BLOWER

RDX-117 Snow Blower Specs:

Cutting Width: 117"	Adjustable, replaceable skid shoes
Tractor HP: 140 - 220 HP	Replaceable & reversible Cutting Blade
Cutting Height: 45.5"	Gear Driven Rotator
Lower Auger Diameter: 23"	High molecular plastic chute rotating surface
Upper Auger Diameter: 14"	Double chute deflector on HD and Truck loading chutes
Fan Diameter: 38"	Capacity - Dry Snow / Wet Snow
Fan Type: 5 Paddle	762 tons per hr / 2394 per hr
Drive: 1000 RPM	

~ ~ Selection 1 ~ Choose a Basic Unit ~ ~

		<i>Retail Price</i>	<i>Contract Price</i>
B118-000	RDX-117 (117" Snow Blower)	28,252.00	19,211.36

~ ~ Selection 2 ~ Choose a Gear Box ~ ~

330-655WG	Standard Gearbox (<i>tractors with cw pto rotation</i>)	5,524.00	3,756.32
330-655R	Non-standard Gearbox (<i>tractors with ccw pto rotation</i>)	5,740.00	3,903.20

~ ~ Selection 3 ~ Choose a Power Shaft ~ ~

340-926WG	1-3/4 Z20 (size 9) for SDX-117 / RDX-117	1,348.00	916.64
340-925WG	1-3/8 Z21 (size 9) for SDX-117 / RDX-117	1,323.00	899.64

NOTE: Do not order above shaft if going on a FM350

MASTER PRICE SHEET



Schulte Industries Ltd.

100 John Schulte Dr., Englefeld, SK. Canada, S0K 1N0

Tel: 306-287-3715 Fax: 306-287-3355 Toll Free: 1-800-404-6044

Web: www.Schulte.ca



Sourcewell - Road Right Of Way Maintenance Equipment

MACHINE PRICES AND SPECIFICATIONS

RDX-117 SNOW BLOWER

~ ~ Selection 4 ~ Choose a Chute kit ~ ~

B110-270	Heavy Duty Chute Kit with Dbl Chute Deflector	2,130.00	1,448.40
B840-250	Cylinder Kit for B110-270 (Required)	626.00	425.68
B110-280	Truck Loading Chute Kit with Dbl Chute Deflector	2,844.00	1,933.92
B110-260	Cylinder Kit for B110-280 (Required)	558.00	379.44
<u>NOTE:</u> Cylinder kits are complete with 2" x 6" cylinder & hoses			
B117-220	Folding Truck Loading Chute	4,803.00	3,266.04
<u>NOTE:</u> Hoses & Two Cylinders Included in B117-220			
B890-300WG	Gauge Wheels with Tapered Roller Bearings	2,184.00	1,485.12
	Assembly	Net	225.00



MASTER PRICE SHEET



Schulte Industries Ltd.

100 John Schulte Dr., Englefeld, SK. Canada, S0K 1N0

Tel: 306-287-3715 Fax: 306-287-3355 Toll Free: 1-800-404-6044

Web: www.Schulte.ca



Sourcewell - Road Right Of Way Maintenance Equipment

MACHINE PRICES AND SPECIFICATIONS

SDX-117 SNOW BLOWER

SDX-117 Snow Blower Specs:

Cutting Width: 117"	Adjustable, replaceable skid shoes
Tractor HP: 140 - 220 HP	Replaceable & reversible Cutting Blade
Cutting Height: 45.5"	Gear Driven Rotator
Lower Auger Diameter: 23"	High molecular plastic chute rotating surface
Upper Auger Diameter: 14"	Double chute deflector on HD and Truck loading chutes
Fan Diameter: 38"	Capacity - Dry Snow / Wet Snow
Fan Type: 5 Paddle	762 tons per hr / 2394 per hr
Drive: 1000 RPM	

~ ~ Selection 1 ~ Choose a Basic Unit ~ ~

		<i>Retail Price</i>	<i>Contract Price</i>
B117-000	SDX-117 (117" Snow Blower)	21,830.00	14,844.40

~ ~ Selection 2 ~ Choose a Gear Box ~ ~

330-655WG	Standard Gearbox (<i>tractors with cw pto rotation</i>)	5,524.00	3,756.32
330-655R	Non-standard Gearbox (<i>tractors with ccw pto rotation</i>)	5,740.00	3,903.20

~ ~ Selection 3 ~ Choose a Power Shaft ~ ~

340-926WG	1-3/4 Z20 (size 9) for SDX-117 / RDX-117	1,348.00	916.64
340-925WG	1-3/8 Z21 (size 9) for SDX-117 / RDX-117	1,323.00	899.64

NOTE: Do not order above shaft if going on a FM350

Instead, order from FM350 price sheet

MASTER PRICE SHEET



Schulte Industries Ltd.

100 John Schulte Dr., Englefeld, SK. Canada, S0K 1N0

Tel: 306-287-3715 Fax: 306-287-3355 Toll Free: 1-800-404-6044

Web: www.Schulte.ca



Sourcewell - Road Right Of Way Maintenance Equipment

MACHINE PRICES AND SPECIFICATIONS

SDX-117 SNOW BLOWER

~ ~ Selection 4 ~ Choose a Chute kit ~ ~

B110-270	Heavy Duty Chute Kit with Dbl Chute Deflector	2,130.00	1,448.40
B840-250	Cylinder Kit for B110-270 (Required)	626.00	425.68
B110-280	Truck Loading Chute Kit with Dbl Chute Deflector	2,844.00	1,933.92
B110-260	Cylinder Kit for B110-280 (Required)	558.00	379.44
<u>NOTE:</u> Cylinder kits are complete with 2" x 6" cylinder & hoses			
B117-220	Folding Truck Loading Chute	4,803.00	3,266.04
<u>NOTE:</u> Hoses & Two Cylinders Included in B117-220			
B890-300WG	Gauge Wheels with Tapered Roller Bearings	2,184.00	1,485.12
	Assembly	Net	225.00



MASTER PRICE SHEET



Schulte Industries Ltd.

100 John Schulte Dr., Englefeld, SK. Canada, S0K 1N0

Tel: 306-287-3715 Fax: 306-287-3355 Toll Free: 1-800-404-6044

Web: www.Schulte.ca



Sourcewell - Road Right Of Way Maintenance Equipment

MACHINE PRICES AND SPECIFICATIONS

SDX-102 SNOW BLOWER

SDX-102 Snow Blower Specs:

Cutting Width: 102"	Adjustable, replacable skid shoes
Drive: 540 or 1000 RPM	Replaceable Cutting Blade
Cutting Height: 35"	Gear Driven Rotator
Overall Height: 96"	Hydraulic Chute Rotation
Auger Diameter: 23"	Capacity Dry Snow/Wet Snow
Fan Diameter: 30"	388 Tons per hr / 1222 tons per hr
Fan Type: 4 Paddle	Tractor HP: 85 - 140 HP (63 - 104 kw)

~~ Selection 1 ~ Choose a Basic Unit ~~

		<i>Retail Price</i>	<i>Contract Price</i>
B102-000	SDX102 Standard Drum Snow Blower	15,583.00	10,596.44

~~ Selection 2 ~ Choose a Power Shaft ~~

340-924WG	Size 9 Heavy Duty PTO Shaft <i>540 RPM</i>	1,343.00	913.24
340-927WG	Size 9 Heavy Duty PTO Shaft (for TV-145 Engine End) <i>540 RPM</i>	1,109.00	754.12
	<i>Optional Gear Gbox</i>		
B102-175	1000 RPM Gear Box STANDARD CW Rotation	1,938.00	1,317.84
B102-175R	1000 RPM Gear Box CCW Rotation	2,230.00	1,516.40
	<i>Power Shaft for 1000 RPM Gear Box</i>		
340-928WG	1-3/8 21 Spline shaft 1000 RPM	1,387.00	943.16

NOTE: Do not order above shaft if going on a FM350 or FM115

Instead, order from FM350 price sheet

~~ Selection 3 ~ Choose a Chute Kit ~~

B110-270	Heavy Duty Chute Kit with Dbl Chute Deflector	2,130.00	1,448.40
B840-250	Cylinder Kit for B110-270 (Required)	626.00	425.68
B110-280	Truck Loading Chute Kit with Dbl Chute Deflector	2,844.00	1,933.92
B110-260	Cylinder Kit for B110-280 (Required)	558.00	379.44
	NOTE: Cylinder kits are complete with 2" x 6" cylinder & hoses		
B102-250	Folding Truck Loading Chute	4,836.00	3,288.48

NOTE: Hoses & Two Cylinders Included in B102-250

MASTER PRICE SHEET



Schulte Industries Ltd.

100 John Schulte Dr., Englefeld, SK. Canada, S0K 1N0

Tel: 306-287-3715 Fax: 306-287-3355 Toll Free: 1-800-404-6044

Web: www.Schulte.ca



Sourcewell - Road Right Of Way Maintenance Equipment

MACHINE PRICES AND SPECIFICATIONS

SDX-102 SNOW BLOWER

~ ~ Selection 4 ~ Choose a Extra Options ~ ~

B890-300WG Gauge Wheels with Tapered Roller Bearings	2,184.00	1,485.12
Assembly	Net	150.00



MASTER PRICE SHEET

Schulte Industries Ltd.

100 John Schulte Dr., Englefeld, SK. Canada, S0K 1N0

Tel: 306-287-3715 Fax: 306-287-3355 Toll Free: 1-800-404-6044

Web: www.Schulte.ca



Sourcewell - Road Right Of Way Maintenance Equipment

MACHINE PRICES AND SPECIFICATIONS

FM-350 Front Mount 3pt

Hitch Frame

~ ~ Selection 4 ~ Choose Hydraulic Bank ~ ~

F300-410	Hydraulic Bank and Mount, Single <i>Required for drum rotation on RDX-102 / RDX-117</i>	470.00	319.60
-----------------	--	--------	---------------

~ ~ Selection 5 ~ Choose Options ~ ~

Tractor Mount

<i>*Please contact us for tractor mount options & availability</i>		750.00	510.00
--	--	--------	---------------

Assembly	Net	100.00
----------	-----	---------------



*** Above prices subject to a 7% steel tariff surcharge**



MASTER PRICE SHEET

Schulte Industries Ltd.

100 John Schulte Dr., Englefeld, SK. Canada, S0K 1N0

Tel: 306-287-3715 Fax: 306-287-3355 Toll Free: 1-800-404-6044

Web: www.Schulte.ca



Sourcewell - Road Right Of Way Maintenance Equipment

MACHINE PRICES AND SPECIFICATIONS

FM-115 Front Mount 3pt Hitch Frame

FM-115 Specs:

Tractor HP: Max. 115 hp (86kw)

Tractor HP: Min. 55hp(41kw) for SDX-840, 85hp (63kw)for SDX-102, RDX-102

Tractor Hydraulic Requirement - 3 remote circuits with a minimum total hydraulic output of 10 GPM at 1200 PSI.rotating drum.
An additional circuit is required if the snow blower has a rotating drum (RDX-102).

Tractor PTO - 540 RPM

Lift Capacity: Maximum - 5000 lbs (1162 KG)

Adjustability - Fits tractors between 111-1/2" and 164-1/2" measured the front mount plate to the drawbar pin

Normal Lift Range - 18"

Nominal Ground Clearance - 10" depending on tractor installation

Approximate Weight - 1400 lbs (636 KG)

~ ~ Selection 1 ~ Choose a Basic Unit ~ ~

		Retail Price	Contract Price
F115-100	FM-115 Front Mount Frame (NO Driveline Package)	8,329.00	5,663.72
F115-200	<i>Driveline package (Used for Snow Blowers)</i>	6,543.00	4,449.24
340-924WG	1-3/8 Z6 (Size 9) for RDX-102	1,343.00	913.24
	Tractor Mount	750.00	510.00
	Assembly	Net	100.00



* Above prices subject to a 7% steel tariff surcharge

MASTER PRICE SHEET



Schulte Industries Ltd.

100 John Schulte Dr., Englefeld, SK. Canada, S0K 1N0
 Tel: 306-287-3715 Fax: 306-287-3355 Toll Free: 1-800-404-6044
 Web: www.Schulte.ca



Sourcewell - Road Right Of Way Maintenance Equipment

MACHINE PRICES AND SPECIFICATIONS

SBX-87 Skid Steer SNOW BLOWERS

SBX Series Snow blower Specs:

Cutting Widths:	Replaceable Cutting Blade
SBX-87 87"(221cm)	Adjustable, replacable skid shoes

Standard Skid Steer Mounting Plate and electrical harnesses available for various skid steer moc

~ ~ Selection 1 ~ Choose a Basic Unit ~ ~

		Retail Price	Contract Price
B870-100	SBX-87 Base Unit <i>Includes Hydraulic Rotator and Deflection</i>	12,429.00	8,451.72

~ ~ Selection 2 ~ Choose Motor Mount Attachment Plate & Valve Block ~ ~

B750-300	Required Mount Kit	1,267.00	861.56
B750-600	Required Skid Steer Attachment plate	1,030.00	700.40
B750-400	Required Hydraulic Valve Block	4,012.00	2,728.16

~ ~ Selection 3 ~ Choose Hydraulics and Harness Assembly ~ ~

R500-345	Control Box Interface <i>(Choose if Brand isn't listed below)</i>	802.00	545.36
R500-350	Bobcat Interface Harness	2,307.00	1,568.76
R500-330	CNH/Mustang/Gehl Harness Assembly	295.00	200.60
R500-335	Cat 14 Harness Assembly	295.00	200.60
R500-340	John Deere Harness Assembly	295.00	200.60
R500-325	Kubota Harness Assembly	295.00	200.60
R500-315	JCB, Takeuchi, Volvo Harness Assembly	299.00	203.32
R500-355	CAT D-Series Adapter Harness	388.00	263.84

MASTER PRICE SHEET



Schulte Industries Ltd.

100 John Schulte Dr., Englefeld, SK. Canada, S0K 1N0

Tel: 306-287-3715 Fax: 306-287-3355 Toll Free: 1-800-404-6044

Web: www.Schulte.ca



Sourcewell - Road Right Of Way Maintenance Equipment

MACHINE PRICES AND SPECIFICATIONS

SBX-87 Skid Steer SNOW BLOWERS

~ ~ Selection 4 ~ Choose Motor to Match Flow ~ ~

116-214WG	Hydraulic Motor, 6.2 cu. in. For 15-19 GPM Flow	1,567.00	1,065.56
116-902WG	Hydraulic Motor, 8.0 cu. in. For 20-24 GPM Flow	1,547.00	1,051.96
116-903WG	Hydraulic Motor, 9.6 cu. in. For 25-29 GPM Flow	1,514.00	1,029.52
116-904WG	Hydraulic Motor, 11.9 cu. in. For 30-35 GPM Flow	1,647.00	1,119.96

Assembly

Net

350.00



MASTER PRICE SHEET



Schulte Industries Ltd.

100 John Schulte Dr., Englefeld, SK. Canada, S0K 1N0

Tel: 306-287-3715 Fax: 306-287-3355 Toll Free: 1-800-404-6044

Web: www.Schulte.ca



Sourcewell - Road Right Of Way Maintenance Equipment

MACHINE PRICES AND SPECIFICATIONS

SBX-87 3pt SNOW BLOWERS

SBX 3 PT Snow Blower Specs:

Cutting Widths:

SBX-87 87"(221cm)

540 RPM - cat 1 hitch

Replaceable Cutting Blade

Adjustable, replacable skid shoes

Improved larger chute design

~ ~ Selection 1 ~ Choose a Basic Unit ~ ~

		Retail Price	Contract Price
B870-100	SBX-87 Base Unit <i>Includes Hydraulic Rotator and Deflection</i>	12,429.00	8,451.72

~ ~ Selection 2 ~ Choose 3PT HITCH *(important: not optional)* ~ ~

B750-200	Required 3 PT Hitch Kit	2,106.00	1,432.08
	Assembly	Net	100.00



MASTER PRICE SHEET



Schulte Industries Ltd.

100 John Schulte Dr., Englefeld, SK. Canada, S0K 1N0

Tel: 306-287-3715 Fax: 306-287-3355 Toll Free: 1-800-404-6044

Web: www.Schulte.ca



Sourcewell - Road Right Of Way Maintenance Equipment

MACHINE PRICES AND SPECIFICATIONS

- SRW-1400 - Mechanical Rock Windrower**
- SRW-1400H- Hydraulic Drive Rock Windrower**

SPECIFICATIONS

- Horsepower Required --- 40hp to 150hp, 540 rpm
- Maximum Ground Speed -- 5mph
- Recommended Ground Speed -- 2mph
- Drum Speed -- 117 rpm @ 540 input (Mechanical)
- Tires - ST205 90-15, D Load Range
- Transport Width -- 7.75'
- Transport Length -- 235"
- Hydraulic Drive Requires 15 GPM/ 57 LPM Hydraulic Flow

HOW TO ORDER: You must select from 1, 2 and 3 to receive a complete rock windrower. To receive additional options, choose from selection 4.

~ ~ Selection 1 ~ Choose a Basic Unit ~ ~

			<i>Retail Price</i>	<i>Contract Price</i>
1)	R210-100	SRW1400 Base Unit (Required)	26,693.00	18,151.24

~ ~ Selection 2 ~ Choose Drive System ~ ~

1)	R210-750	Mechanical Drive System (540 RPM 40-150 HP) OR	5,234.00	3,559.12
2)	R210-700	Hydraulic Drive System (15 GPM Flow Minimum Needed)	3,317.00	2,255.56

~ ~ Selection 3 ~ Choose Drum ~ ~

1)	R210-180	SRW1400 Drum With Bolt On Teeth (Required)	12,098.00	8,226.64
----	----------	--	-----------	----------

~ ~ Selection 4 ~ Hydraulic Cylinder Kit ~ ~

1)	R210-270	Complete Hydraulic Cylinder Kit consisting of (2) 3 x 8 hydraulic cylinders c/w depth stops, steel lines, hoses and fittings (required to operate windrower)	1,220.00	829.60
----	----------	--	----------	--------

PREDELIVERY SERVICE IS REQUIRED BY DEALER OR END USER

MASTER PRICE SHEET



Schulte Industries Ltd.

100 John Schulte Dr., Englefeld, SK. Canada, S0K 1N0

Tel: 306-287-3715 Fax: 306-287-3355 Toll Free: 1-800-404-6044

Web: www.Schulte.ca



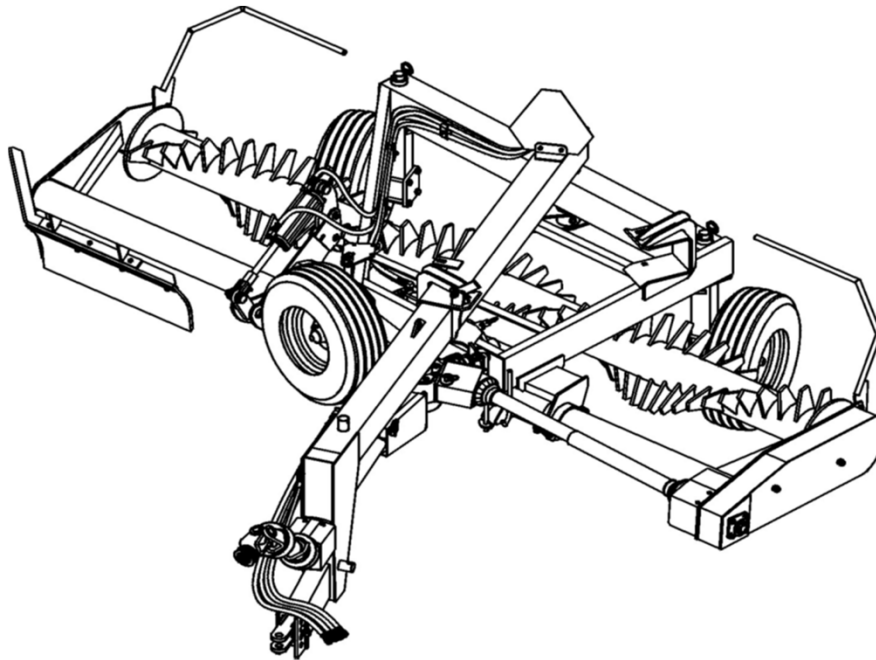
Sourcewell - Road Right Of Way Maintenance Equipment

MACHINE PRICES AND SPECIFICATIONS

SRW-1400 - Mechanical Rock Windrower
SRW-1400H- Hydraulic Drive Rock Windrower

~ ~ **Selection 5 ~ Extra Options** ~ ~

1)	R200-220	CE Shield Kit for SRW1400	3,810.00	2,590.80
2)	S000-065	Safety Light Kit for SRW1400	841.00	571.88
3)	R210-200	High Speed Sprocket (for gravel reclamation)	573.00	389.64
		Assembly Charge	Net	500.00



PREDELIVERY SERVICE IS REQUIRED BY DEALER OR END USER



MASTER PRICE SHEET



Schulte Industries Ltd.

100 John Schulte Dr., Englefeld, SK. Canada, S0K 1N0
 Tel: 306-287-3715 Fax: 306-287-3355 Toll Free: 1-800-404-6044
 Web: www.Schulte.ca



Sourcewell - Road Right Of Way Maintenance Equipment

MACHINE PRICES AND SPECIFICATIONS

SRW-1000 Rock Windrower

SPECIFICATIONS

- Horsepower Required --- 40hp to 150hp 30-112KW), 540rpm
- Maximum Ground Speed -- 5mph (8kph)
- Recommended Ground Speed -- 2mph (3kph)
- Drum Speed -- 117 rpm @ 540 input
- Drum Width -- 10 ft (3.05 m)
- Tires - Forklift Tire 6.5 x 10, 10 ply
- Transport Width -- 7.75'
- Transport Length -- 235"
- Weight -- 2660 lbs (1206 kg)

~ ~ **Selection 1 ~ Choose a Basic Unit** ~ ~

		<i>Retail Price</i>	<i>Contract Price</i>
R900-100	SWR1000 Standard 10 ft unit	21,291.00	14,477.88
R900-200	Safety Light Kit (Required in North America)	902.00	613.36

~ ~ **Selection 2 ~ Choose Drive System** ~ ~

R900-650	Mechanical Drive System OR	4,931.00	3,353.08
R900-600	Hydraulic Drive System	2,733.00	1,858.44

~ ~ **Selection 3 Choose Tires** ~ ~

210-175WG	Forklift Tire 6.5 x 10, 12 ply on 2 pce 5 bolt rim	445.00	302.60
-----------	--	--------	--------

Must choose 2 per unit

~ ~ **Selection 4 ~ Extra Options** ~ ~

R000-200	High Speed Sprocket	198.00	134.64
R900-800	Shipping Kit	Net	281.00
	Assembly	Net	400.00



Assembled unit



Shipping kit installed ready for truck



MASTER PRICE SHEET



Schulte Industries Ltd.

100 John Schulte Dr., Englefeld, SK. Canada, S0K 1N0
 Tel: 306-287-3715 Fax: 306-287-3355 Toll Free: 1-800-404-6044
 Web: www.Schulte.ca



Sourcewell - Road Right Of Way Maintenance Equipment

MACHINE PRICES AND SPECIFICATIONS

SRW-800 Rock Windrower

SPECIFICATIONS

- Variable Hydraulic Drum Angle 0 degrees to 18 degrees
- Drum Speed -- 102 rpm @ 540 input
- Horsepower Required --- 35hp to 100hp
- Tires -- 16.5 x 6.5 x 8 ply
- Maximum Ground Speed -- 5mph
- Transport Width -- 8.5'
- Recommended Ground Speed -- 2mph
- Transport Length -- 67"

~ ~ **Selection 1 ~ Choose a Basic Unit** ~ ~

			<i>Retail Price</i>	<i>Contract Price</i>
1)	R300-000	SRW800 Standard 8' Unit	17,740.00	12,063.20

~ ~ **Selection 2 ~ Choose a Destination Code** ~ ~

Please select the destination of the windrower for proper Decals and Manuals.

1)	R300-NA	North America and Australia	46.00	31.28
----	---------	-----------------------------	-------	-------

~ ~ **Selection 3 ~ Extra Options** ~ ~

1)	R000-200	High Speed Sprocket (for gravel reclamation)	198.00	134.64
		Assembly Charge	Net	200.00





Schulte Industries Ltd.
 100 John Schulte Dr., Englefeld, SK, Canada, S0K 1N0
 Tel: 306-287-3715 Fax: 306-287-3355 Toll Free: 1-800-404-6044
 Web: www.Schulte.ca

MASTER PRICE SHEET



Sourcewell - Road Right Of Way Maintenance Equipment
 MACHINE PRICES AND SPECIFICATIONS

SMR-800 Multi Skid-steer Windrower/Landscape Rake

SPECIFICATIONS

Weight (approximate)	1900 lbs (862 kg)	Drum width	89" (2.26 m)
Transport width	102" (2.59 m)	Tires	23" forklift (58 cm)

~ ~ **Selection 1 ~ Choose a Basic Unit** ~ ~

	Retail Price	Contract Price
R500-100 Skid-steer Windrower Base Unit	9,331.00	6,345.08

~ ~ **Selection 2 ~ Choose One Correct Harness (With Hydraulic Rotating Opt Only)** ~ ~

R500-315 Interface Harness, JCB/Takeuchi	299.00	203.32
R500-320 Interface Harness, Volvo	295.00	200.60
R500-325 Interface Harness, Kubota	295.00	200.60
R500-330 Interface Harness for CNH/Mustang/Gehl	295.00	200.60
R500-335 Interface Harness for Cat (14 pin)	295.00	200.60
R500-340 Interface Harness for JohnDeere	295.00	200.60
R500-345 Electric Harness With Switch Box	802.00	545.36
R500-350 Interface Harness for Bobcat	2,307.00	1,568.76
R500-355 CAT D-Series Adapter Harness	388.00	263.84

~ ~ **Selection 3 ~ Choose Drum Configuration** ~ ~

R500-115 Standard Drum	3,749.00	2,549.32
<i>Choose Teeth Configuration</i>		
R500-180 4 Inch Replaceable 450 BHN Steel Teeth	1,624.00	1,104.32

~ ~ **Selection 4 ~ Choose Mount** ~ ~

R500-130 Standard Mount	1,934.00	1,315.12
-------------------------	----------	----------

~ ~ **Selection 5 ~ Choose Wheel Option (must pick)** ~ ~

R500-610 Standard Wheels	3,272.00	2,224.96
--------------------------	----------	----------

~ ~ **Selection 6 ~ Choose Rotation** ~ ~

R500-205 Hydraulic Rotating option	3,628.00	2,467.04
R500-210 Manual Pivot Option	624.00	424.32

~ ~ **Selection 7 ~ Choose Flow Option** ~ ~

R500-215 Drive Option 8.0 CU.IN. Motor	1,517.00	1,031.56
R500-220 Drive Option 15.0 CU.IN. Motor	2,521.00	1,714.28
R500-225 Drive Option 9.9 CU.IN. Motor	2,934.00	1,995.12
R500-230 Drive Option 19.0 CU.IN. Motor	3,047.00	2,071.96
R500-235 Drive Option 24.0 CU.IN. Motor	2,510.00	1,706.80
R500-240 Drive Option 12.5 CU.IN. Motor	2,558.00	1,739.44
Assembly	Net	200.00

Use **this** flow chart to determine the proper Drive option

GPM @2500psi	Motor size (cu. in.)				
	8	9.9	15	19	24
18	213	168	112	90	69
20	237	189	125	101	77
22	263	208	138	112	85
25	299	238	157	126	98
27		264	175	139	110
30		285	188	152	119
35			221	178	136

Landscaping, levelling, seedbed prep – Target RPM from 175-260
 Large debris removal, rock windrowing – Target RPM from 110-140
 Sweeping – Target RPM 210



MASTER PRICE SHEET



Schulte Industries Ltd.

100 John Schulte Dr., Englefeld, SK. Canada, S0K 1N0
 Tel: 306-287-3715 Fax: 306-287-3355 Toll Free: 1-800-404-6044
 Web: www.Schulte.ca



Sourcewell - Road Right Of Way Maintenance Equipment MACHINE PRICES AND SPECIFICATIONS

SMR-600 Multi Skid-steer Windrower/Landscape Rake

SPECIFICATIONS

Weight (approximate)	1600 lbs (725 kg)	Drum width	73" (1.85m)
Transport width	88" (2.23m)	Tires	23" forklift (58 cm)

~ ~ **Selection 1 ~ Choose a Basic Unit** ~ ~

	Retail Price	Contract Price
R700-100 Skid-steer Windrower Base Unit	9,102.00	6,189.36

~ ~ **Selection 2 ~ Choose One Correct Harness (With Hydraulic Rotating Opt only)** ~ ~

R500-315 Interface Harness, JCB/Takeuchi	299.00	203.32
R500-320 Interface Harness, Volvo	295.00	200.60
R500-325 Interface Harness, Kubota	295.00	200.60
R500-330 Interface Harness for CNH	295.00	200.60
R500-335 Interface Harness for Cat (14 pin)	295.00	200.60
R500-340 Interface Harness for JohnDeere	295.00	200.60
R500-345 Electric Harness With Switch Box	802.00	545.36
R500-350 Interface Harness for Bobcat	2,307.00	1,568.76
R500-355 CAT D-Series Adapter Harness	388.00	263.84

~ ~ **Selection 3 ~ Choose Drum Configuration** ~ ~

R700-115 Standard Drum with Replaceable Teeth	3,234.00	2,199.12
<i>Choose Teeth Configuration</i>		
R700-125 4 inch 450 BHN Steel Replaceable Teeth	1,346.00	915.28

~ ~ **Selection 4 ~ Choose Mount** ~ ~

R500-130 Standard Rigid Mount	1,934.00	1,315.12
-------------------------------	----------	----------

~ ~ **Selection 5 ~ Choose Wheel Option (must pick)** ~ ~

R500-610 Standard Wheels	3,272.00	2,224.96
--------------------------	----------	----------

~ ~ **Selection 6 ~ Choose Rotation** ~ ~

R700-215 Hydraulic Rotating option	3,363.00	2,286.84
R500-210 Manual Pivot Option	624.00	424.32

~ ~ **Selection 7 ~ Choose Flow Option** ~ ~

R500-215 Drive Option 8.0 CU.IN. Motor	1,517.00	1,031.56
R500-220 Drive Option 15.0 CU.IN. Motor	2,521.00	1,714.28
R500-225 Drive Option 9.9 CU.IN. Motor	2,934.00	1,995.12
R500-230 Drive Option 19.0 CU.IN. Motor	3,047.00	2,071.96
R500-235 Drive Option 24.0 CU.IN. Motor	2,510.00	1,706.80
R500-240 Drive Option 12.5 CU.IN. Motor	2,558.00	1,739.44

Assembly Net 200.00

Use this flow chart to determine the proper Drive option

GPM @2500psi	Motor size (cu. in.)				
	8	9.9	15	19	24
18	213	168	112	90	69
20	237	189	125	101	77
22	263	208	138	112	85
25	299	238	157	126	98
27		264	175	139	110
30		285	188	152	119
35			221	178	136

Landscaping, levelling, seedbed prep – Target RPM from 175-260
 Large debris removal, rock windrowing – Target RPM from 110-140



MASTER PRICE SHEET



Schulte Industries Ltd.

100 John Schulte Dr., Englefeld, SK. Canada, S0K 1N0

Tel: 306-287-3715 Fax: 306-287-3355 Toll Free: 1-800-404-6044

Web: www.Schulte.ca



Sourcewell - Road Right Of Way Maintenance Equipment

MACHINE PRICES AND SPECIFICATIONS

RS320 'Jumbo' Rock Picker

PICKER FEATURES

- Hydraulic cylinders & hoses
- Grated buckets
- Extended hitch poles
- Pivoting hitch
- Safety chain

TRACTOR HYDRAULIC REQUIREMENTS

Rock pickers, hydraulically driven, **require closed center** dual remote outlets with a minimum of 12 gallons per minute flow at 1750 psi.

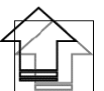
~ ~ Selection 1 ~ Choose a Basic Unit ~ ~

		<i>Retail Price</i>	<i>Contract Price</i>
1)	90-100 RS320 'Jumbo' Rock Picker, conveyer type, hydraulic drive, semi hi-lift, 4 batt, 3.2 cubic yard grated bucket c/w pivoting hitch, 16.5x16.1x10 Ply Tires	53,347.00	36,275.96

~ ~ Selection 2 ~ Extra Options ~ ~

1)	S000-075 Safety Light Kit	879.00	597.72
2)	90-250 Hydraulic Swing Hitch (For RS320 Only)	672.00	456.96
	Setup For Loading	Net	250.00
	Setup For Towing	Net	300.00

IMPORTANT: Safety Chain Kit & Safety Light Kit must be used at all time when moving equipment on any type of road.



MASTER PRICE SHEET



Schulte Industries Ltd.

100 John Schulte Dr., Englefeld, SK. Canada, S0K 1N0

Tel: 306-287-3715 Fax: 306-287-3355 Toll Free: 1-800-404-6044

Web: www.Schulte.ca



Sourcewell - Road Right Of Way Maintenance Equipment

MACHINE PRICES AND SPECIFICATIONS

2500 Giant Rock Picker

PICKER FEATURES

- Hydraulic cylinders & hoses
- Grated buckets
- Extended hitch poles
- Pivoting hitch
- Safety chain

TRACTOR HYDRAULIC REQUIREMENTS

Rock pickers, hydraulically driven, **require closed center** dual remote outlets with a minimum of 12 gallons per minute flow at 1750 psi.

~ ~ Selection 1 ~ Choose a Basic Unit ~ ~

		<i>Retail Price</i>	<i>Contract Price</i>
1)	R100-001 2500 Giant Big Bucket Rock Picker, reel type, pivoting hitch, rock deflector, hydraulic drive, semi hi-lift, 16.5x16.1x10 Ply Tires	30,695.00	20,872.60
	<i>Choose One:</i>		
a)	R100-190 Heavy Duty Grate and Reel Assembly, Narrow Space <i>c/w Replaceable Teeth, 1-1/2" Spacing</i>	18,149.00	12,341.32
b)	R100-215 Heavy Duty Grate and Reel Assembly, Wide Space <i>c/w Replaceable Teeth, 3-9/32" Spacing</i>	15,561.00	10,581.48
	<i>Choose One Required Option:</i>		
a)	R400-140 Longer Bent Hitch Pole	2,535.00	1,723.80
	<i>Pick one of the Following:</i>		
a)	R100-265 Standard Hydraulics	324.00	220.32
b)	R100-270 Flow Control Kit	753.00	512.04

~ ~ Selection 2 ~ Extra Options ~ ~

1)	S000-039 Safety Light Kit	962.00	654.16
2)	R400-255 Hydraulic Swing Hitch (2500 Giant)	550.00	374.00
	Setup For Loading	Net	250.00
	Setup For Towing	Net	300.00

IMPORTANT: Safety Chain Kit & Safety Light Kit must be used at all time when moving equipment on any type of road.



MASTER PRICE SHEET



Schulte Industries Ltd.

100 John Schulte Dr., Englefeld, SK. Canada, S0K 1N0

Tel: 306-287-3715 Fax: 306-287-3355 Toll Free: 1-800-404-6044

Web: www.Schulte.ca



Sourcewell - Road Right Of Way Maintenance Equipment

MACHINE PRICES AND SPECIFICATIONS

3500 Giant Rock Picker

PICKER FEATURES

- Hydraulic cylinders & hoses
- Grated buckets
- Extended hitch poles
- Pivoting hitch
- Safety chain

TRACTOR HYDRAULIC REQUIREMENTS

Rock pickers, hydraulically driven, **require closed center** dual remote outlets with a minimum of 12 gallons per minute flow at 1750 psi.

~ ~ Selection 1 ~ Choose a Basic Unit ~ ~

			<i>Retail Price</i>	<i>Contract Price</i>
1)	R350-100	3500 Giant Base Unit	27,939.00	18,998.52
		<i>Choose one:</i>		
	a)	R350-235 Contractor Heavy Duty Grate and Reel Assembly, Narrow Space c/w Replaceable Teeth, 1-1/2" Spacing	23,894.00	16,247.92
	b)	R350-225 Contractor Heavy Duty Grate and Reel Assembly, Wide Space c/w Replaceable Teeth, 3-9/32" Spacing	19,921.00	13,546.28

~ ~ Selection 2 ~ Choose a Hitch Pole ~ ~

2)	R400-140	Bent Hitch Pole	2,535.00	1,723.80
		<i>Pick one of the Following:</i>		
	a)	R100-265 Standard Hydraulics	324.00	220.32
	b)	R100-270 Hydraulics w/ Flow Control Kit	753.00	512.04

MASTER PRICE SHEET



Schulte Industries Ltd.

100 John Schulte Dr., Englefeld, SK. Canada, S0K 1N0

Tel: 306-287-3715 Fax: 306-287-3355 Toll Free: 1-800-404-6044

Web: www.Schulte.ca



Sourcewell - Road Right Of Way Maintenance Equipment

MACHINE PRICES AND SPECIFICATIONS

3500 Giant Rock Picker

~ ~ **Selection 3 ~ Wheel Options** ~ ~

1)	R350-300	Standard Wheel Option <i>(16.5 x 16.1 x 10 Ply)</i>	4,475.00	3,043.00
2)	R350-350	Larger Wheel Option <i>(560/45 x 22.5, 152 D Load Index)</i>	8,281.00	5,631.08

~ ~ **Selection 4 ~ Rock Deflector Options** ~ ~

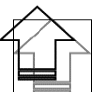
1)	R350-400	Standard Side Rock Deflector <i>Order with R350-300 (Standard Wheel Option)</i>	413.00	280.84
2)	R350-450	Large Side Rock Deflector <i>Order with R350-350 (Larger Wheel Option)</i>	458.00	311.44

~ ~ **Selection 5 ~ Extra Options** ~ ~

1)	S000-175	Safety Light Kit	889.00	604.52
2)	R400-255	Hydraulic Swing Hitch	550.00	374.00

Setup For Loading	Net	250.00
Setup For Towing	Net	300.00

IMPORTANT: Safety Chain Kit & Safety Light Kit must be used at all time when moving equipment on any type of road.



MASTER PRICE SHEET



Schulte Industries Ltd.

100 John Schulte Dr., Englefeld, SK. Canada, S0K 1N0

Tel: 306-287-3715 Fax: 306-287-3355 Toll Free: 1-800-404-6044

Web: www.Schulte.ca



Sourcewell - Road Right Of Way Maintenance Equipment

MACHINE PRICES AND SPECIFICATIONS

5000 Titan II Rock Picker

PICKER FEATURES

- Dumping height - 79" (2007 mm)
- Hopper capacity - 5 cu. yds. (3.82 m³)
- 450 BHN Steel teeth and T-iron tops for extra-long life
- Hydraulic Pivoting hitch
- Picks rocks - 2" - 27" (5cm - 69cm)
- Required horsepower -125 HP (93 kW)
- Required tractor hydraulic capacity at 4 remote outlets
12 GPM@2200PSI, 4 remote outlets
- Case Drain Required
- Recommended Reel Speed 36 rpm

~ ~ Selection 1 ~ Choose a Basic Unit ~ ~

		<i>Retail Price</i>	<i>Contract Price</i>
R801-100	5000 TITAN II Rock Picker 5 cu.yd. bucket, 6.5 ft Dump Height, Hydraulic Swing Hitch	61,629.00	41,907.72
R800-200	Optional Rock Deflector	505.00	343.40

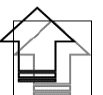
~ ~ Selection 2 ~ Reel and Grates ~ ~

R801-200	Grate and Reel c/w Narrow 1 1/2" spacing, 450 BHN Steel Teeth and T-iron	32,334.00	21,987.12
R801-225	Grate and Reel c/w Wide 3 9/32" spacing, 450 BHN Steel Teeth and T-iron	28,555.00	19,417.40

~ ~ Selection 3 ~ Reel and Grates ~ ~

R800-250	Flow Control Kit	414.00	281.52
R800-800	Containerized/Racked	Net	3,200.00
R800-810	Set up for loading	Net	400.00
	Setup For Towing	Net	600.00

PREDELIVERY SERVICE IS REQUIRED BY DEALER OR END USER



MASTER PRICE SHEET



Schulte Industries Ltd.

100 John Schulte Dr., Englefeld, SK. Canada, S0K 1N0

Tel: 306-287-3715 Fax: 306-287-3355 Toll Free: 1-800-404-6044

Web: www.Schulte.ca



Sourcewell - Road Right Of Way Maintenance Equipment

MACHINE PRICES AND SPECIFICATIONS

SPARTAN RWP-1935

PICKER / WINDROWER COMBO

PICKER FEATURES

- Dumping height of over 8-1/2' (2.6m)
- Hopper capacity - 3.5 cu. yds. (2.68 m³)
- Hard surfaced teeth & batt reels for extra-long life
- Adjustable working widths of 16' - 19' (4.8m - 5.8m)
- Picks rocks - 2" - 27" (5cm - 69cm)
- Adjustable working depths down to 4.25" (11 cm)
- Separate hydraulic adjustment of windrower & reel speeds
- Minimum horsepower -125 HP (93 kW)
- Required tractor hydraulic capacity - 16 GPM with two remotes
- Recommended reel speed - 40 rpm
- Case drain required
- PTO required to run hydraulic pump that is available in 3 standard shaft size

~ ~ Selection 1 ~ Choose a Basic Unit ~ ~

		Retail Price	Contract Price
R190-100	RWP-1935 Rock Picker / Rock Windrower Combo Base Unit	158,384.00	107,701.12

~ ~ Selection 2 ~ Hydraulic Pump Options ~ ~

R190-300	540 RPM Hydraulic Pump, 1-3/8" 6 Spline	5,241.00	3,563.88
R190-310	1000 RPM Hydraulic Pump, 1-3/8" 21 Spline	5,655.00	3,845.40
R190-320	1000 RPM Hydraulic Pump, 1-3/4" 20 Spline	6,914.00	4,701.52

~ ~ Selection 3 ~ Options ~ ~

R190-400	Reel Guard Option <i>(Adds 3" to the dump height)</i>	581.00	395.08
----------	---	--------	--------

Setup For Shipping	Net	2,600.00
---------------------------	------------	-----------------

PREDELIVERY SERVICE IS REQUIRED BY DEALER OR END USER

